

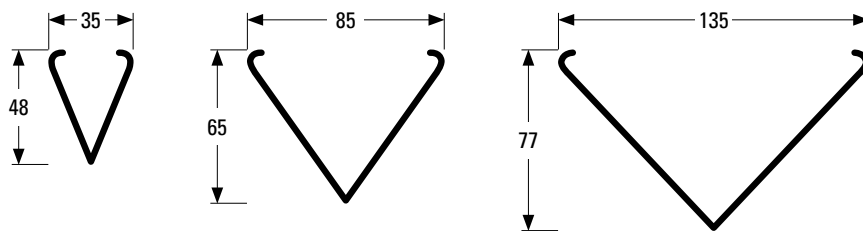
V STRIP





# V STRIP

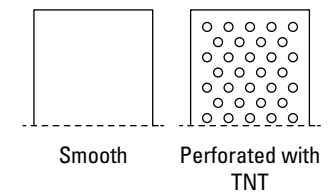
It is a lamellar strip whose particularity is that it is mounted vertically, giving the room slimness as well as dynamism thanks to its variable pitch.



## Technical characteristics

European Standard:	CE EN 13964
Durability:	Class B
Fire resistance:	A1
Sound absorption:	EN ISO 354
Standard Colour:	• Silver • White • AISI • Post-painted
Finish:	• Smooth • Perforated
Standard material:	Alluminium (3000H46 / 1050AH) Galvanized steel (DX51DZ)
Standard thickness:	Alluminium 0,5 - 0,6 - 0,8 mm Steel 0,4 - 0,5 - 0,6 mm
Standard dimension:	V35            35x48 mm V85            85x65 mm V135          135x77 mm

## Finish



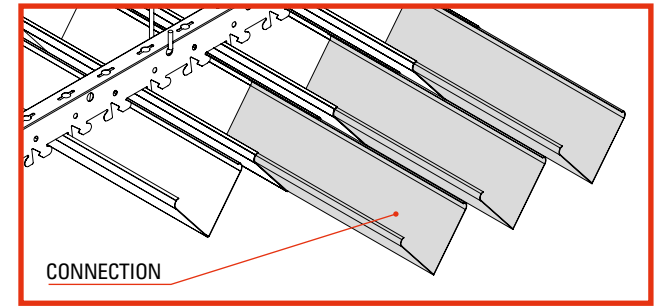
### Strips incidence and suitable carriers

Strip type	Pitch	Strips m/m <sup>2</sup>	Suitable carrier	Carrier m/m <sup>2</sup>	Suspension pcs/m <sup>2</sup>
V35	50	20,0	TR4	0,83	0,70
V85	100	10,0	TR1 - TR4	0,83	0,70
V135	150	6,6	TR4	0,83	0,70

### Maximum wheelbase and overhang advised

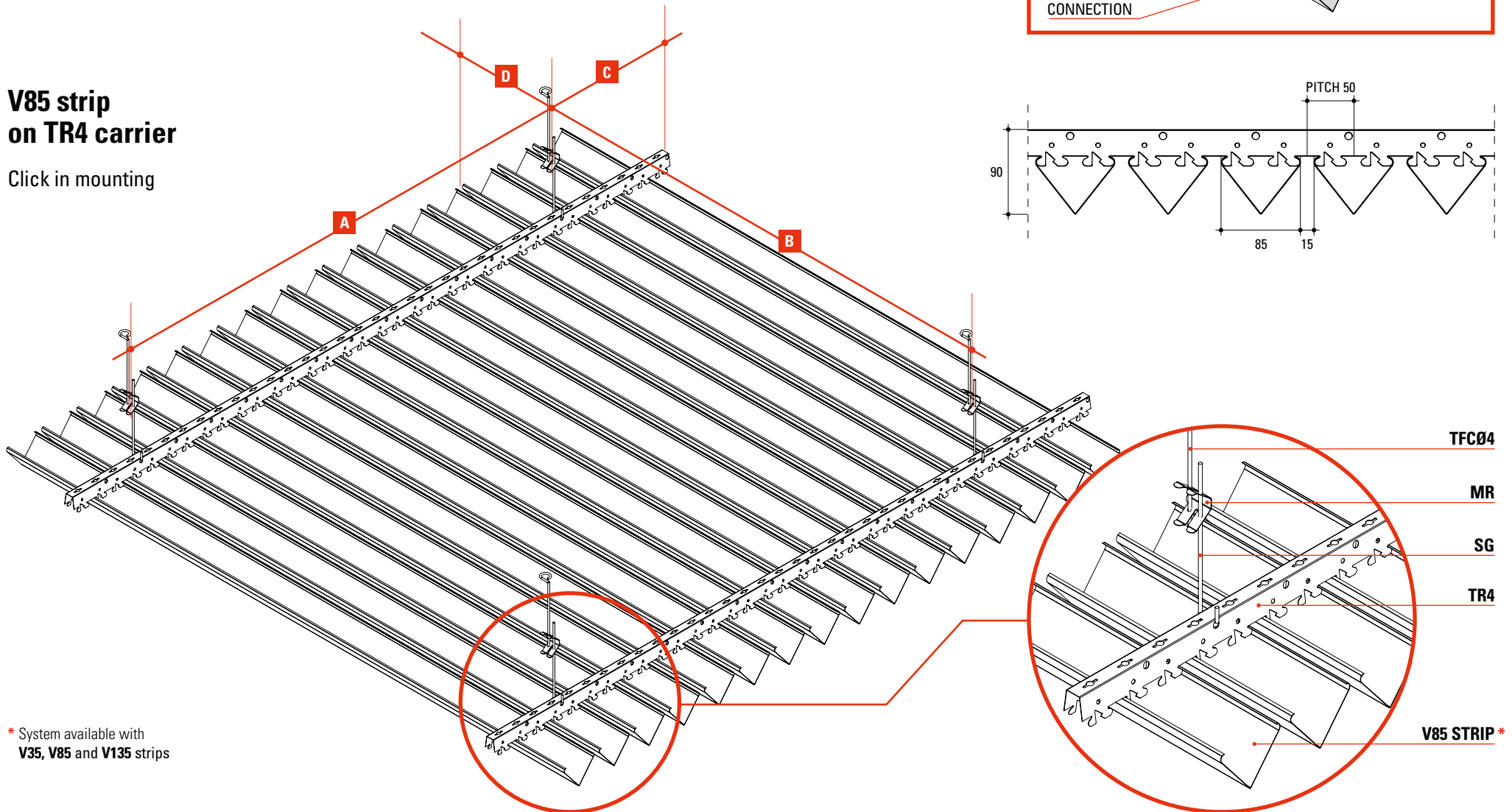
	A	B	C	D
With insulation*	1200	1100	300	300
Without insulation	1200	1200	400	400

\* 3 cm thick sound-absorbing mat of glass wool, rock wool or polyester



### V85 strip on TR4 carrier

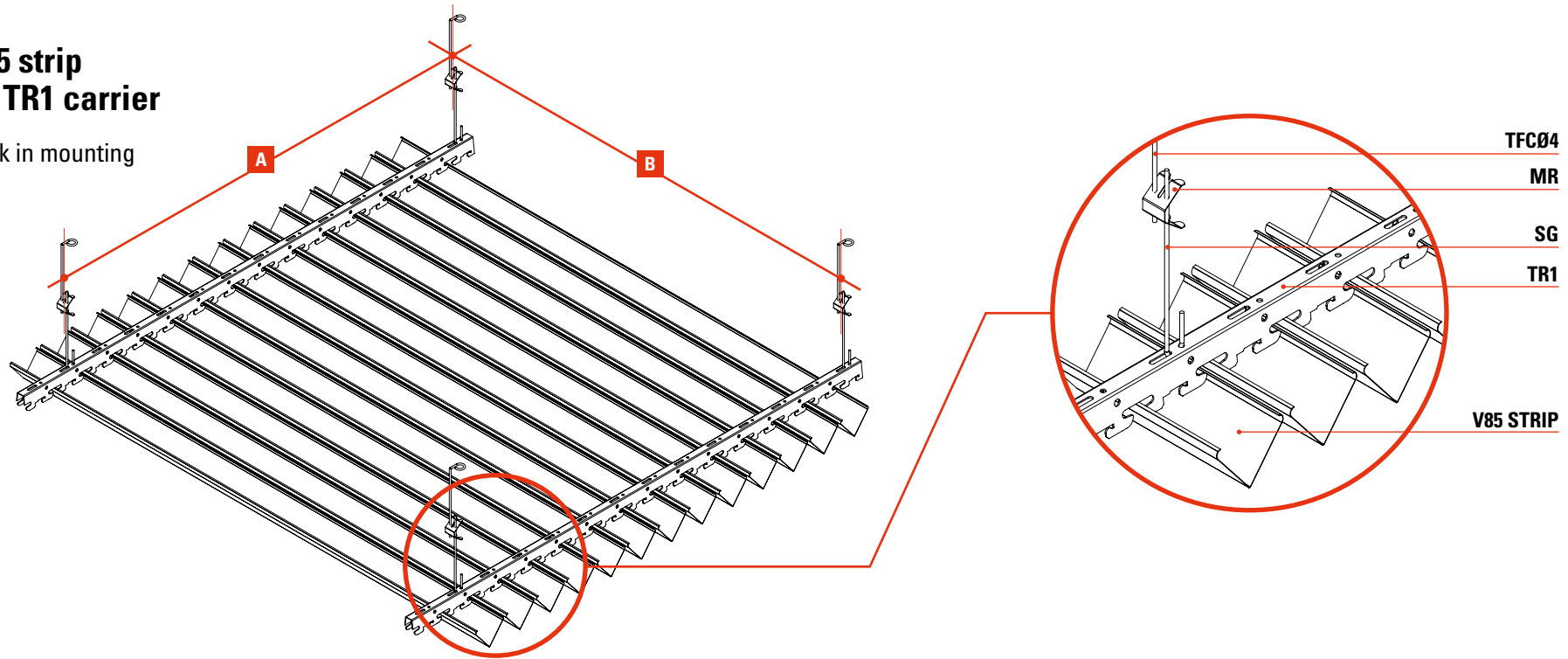
Click in mounting



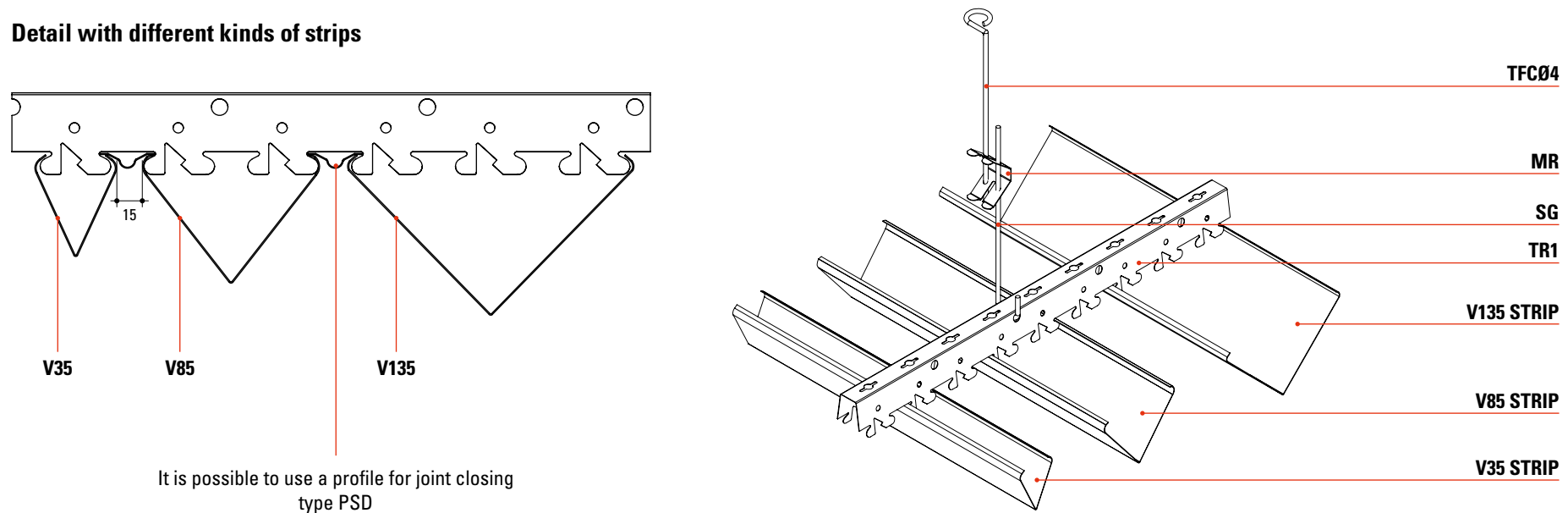
\* System available with  
V35, V85 and V135 strips

## V85 strip on TR1 carrier

Click in mounting



## Detail with different kinds of strips



It is possible to use a profile for joint closing  
type PSD