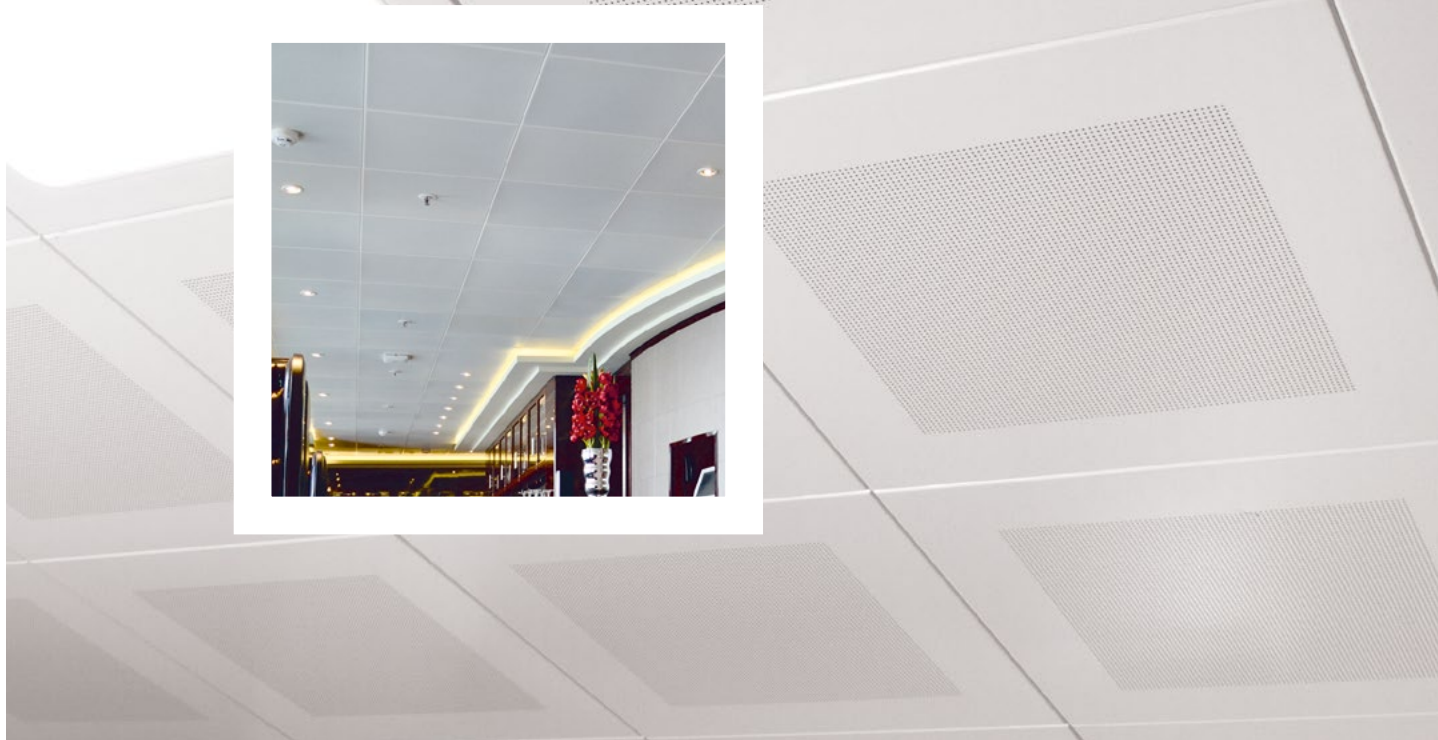
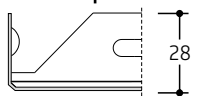


VERTICALE OCCEULTO

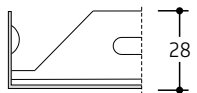




03 **VERTOCCULTO**
INTEGRATED FALSE CEILINGS



Bevelled edge - 3mm



Plain edge

Drilled panel
with acoustic
fleece for sound
absorption

STANDARD MODULES



300

300



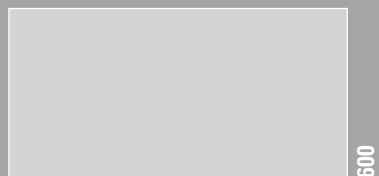
600

600



1200

300



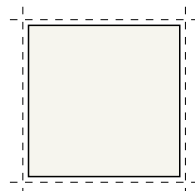
1200

600

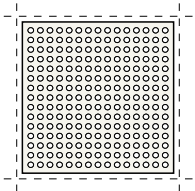
TECHNICAL SPECIFICATIONS

European regulations:	CE - EN 13964
Durability:	Class B
Fire resistance:	A1
Acoustic absorption:	EN ISO 354
Standard colour:	Prepainted White • Silver • Mirror aluminium Post painted RAL - NCS - Sublimated
Standard material:	Aluminium (Alloy 310H46) Galvanized steel (DX51DZ100)
Standard thickness:	0,4 - 0,5 - 0,6 mm
Standard modules:	600x600 mm plain edge 600x1200 mm bevelled or plain edge 300x300 mm bevelled edge 300x1200 mm bevelled edge
Average system weight:	4-5 kg/m ²

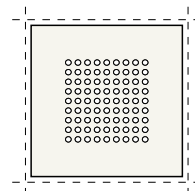
FINISHING



Plain panel

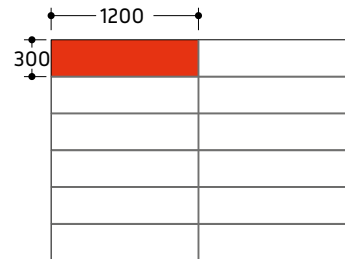
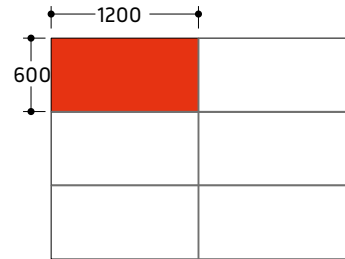
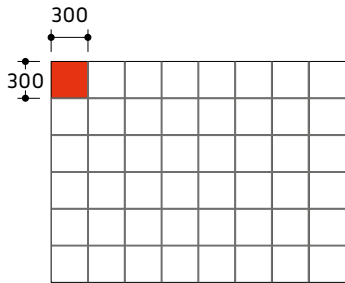
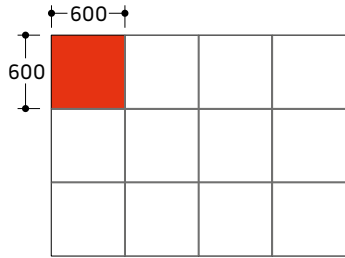


Drilled panel
with 10 mm plain edge



Drilled panel
with 100 mm plain edge

STANDARD MODULES

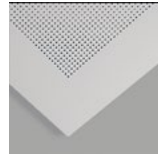


FINISHING

PANEL TYPE



Plain panel



Drilled panel
See page 68

PRE-PAINTED COLOUR



White



Silver



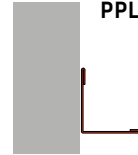
Aluminium
Mirror

POST-PAINTED COLOUR

RAL

NCS

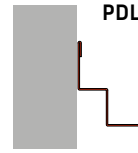
EDGE PROFILE



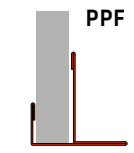
PPL



PPC



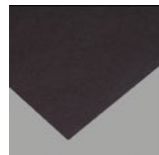
PDL



PPF

See page 66

ACOUSTIC MATERIAL



Acoustic fleece



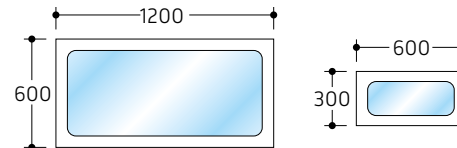
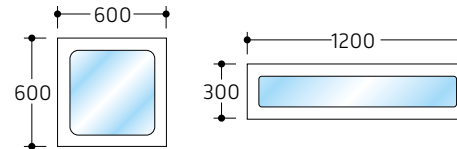
Polyester fibre



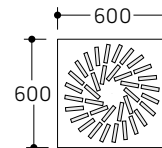
Mineral wool

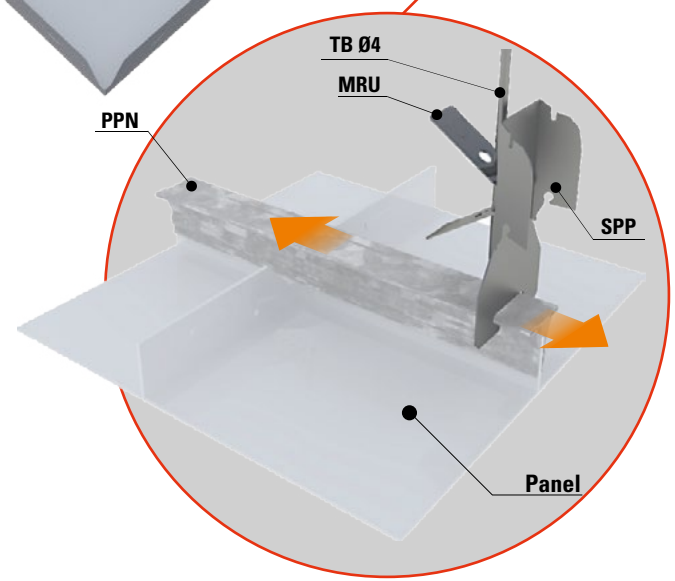
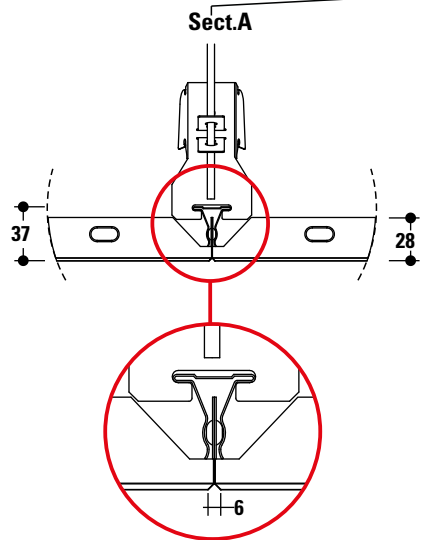
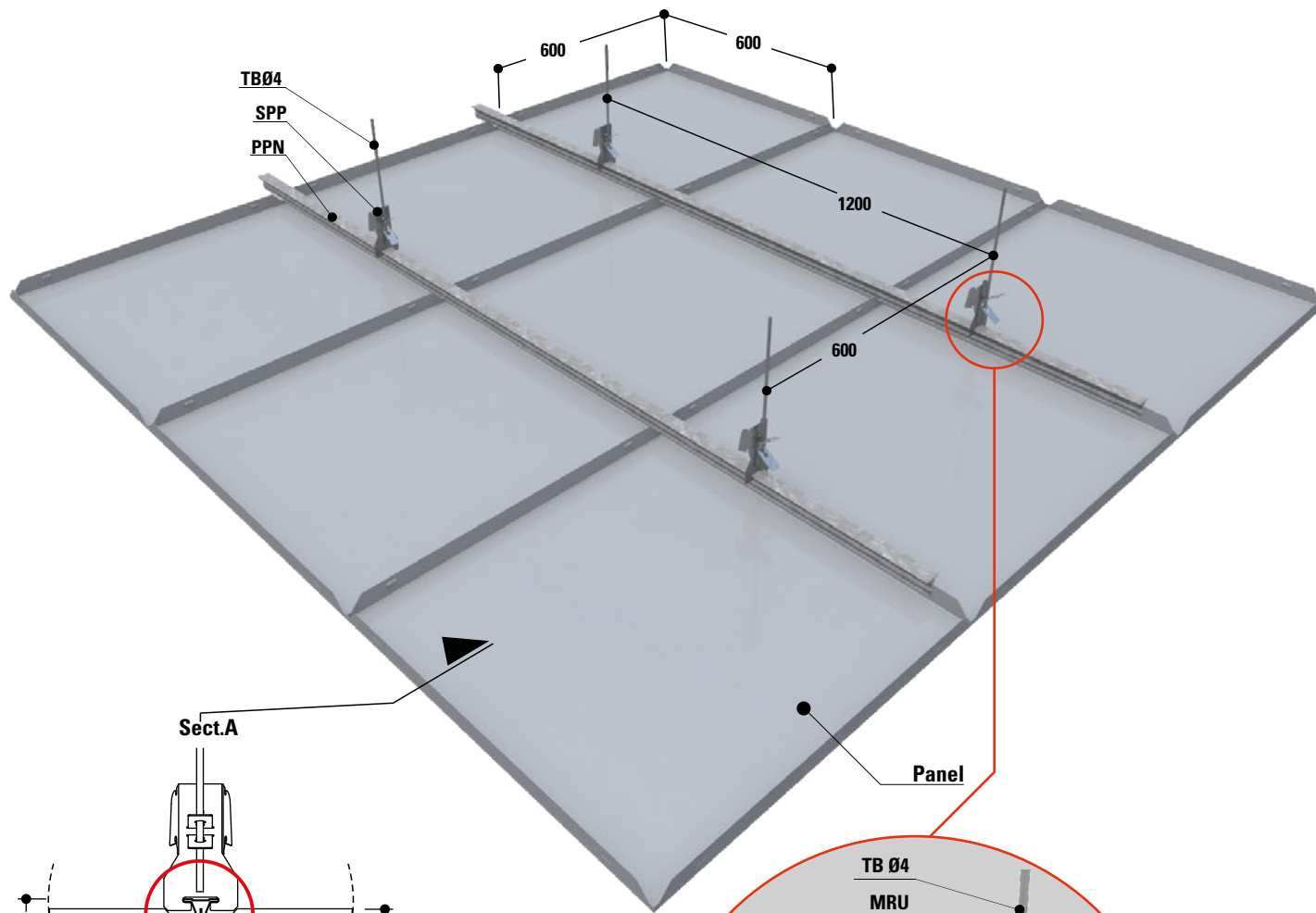
ACCESSORIES

LIGHTING

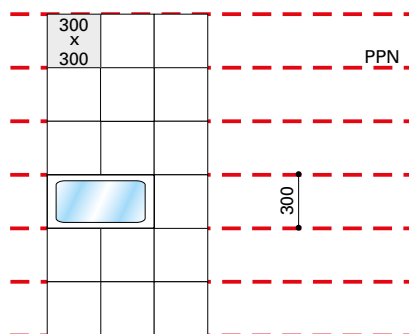


AC TREATMENT





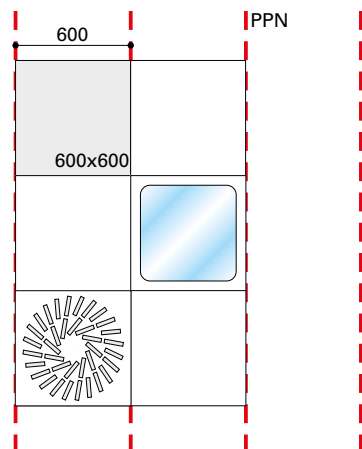
MODULE 300 x 300 mm • SINGLE ROOF FRAME



Theoretical incidences

PPN <i>Bearing profile</i>	3,33 m/m ²
Panel <i>300 x 300 mm</i>	11,11 pc/m ²
SPP <i>Suspension for PPN</i>	2,78 pc/m ²
MRU <i>Tuning spring</i>	2,78 pc/m ²
TBØ4 <i>Rod bar</i>	2,78 pc/m ²
TNT <i>Acoustic fleece</i>	11,11 pc/m ²

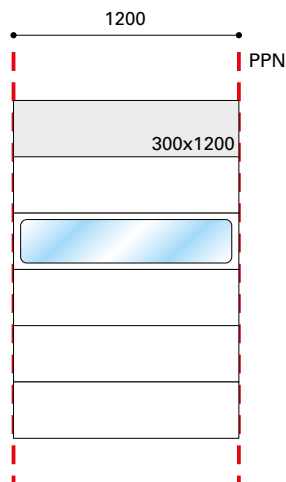
MODULE 600 x 600 mm • SINGLE ROOF FRAME



Theoretical incidences

PPN <i>Bearing profile</i>	1,67 m/m ²
Panel <i>600 x 600 mm</i>	2,78 pc/m ²
SPP <i>Suspension for PPN</i>	1,39 pc/m ²
MRU <i>Tuning spring</i>	1,39 pc/m ²
TBØ4 <i>Rod bar</i>	1,39 pc/m ²
TNT <i>Acoustic fleece</i>	2,78 pc/m ²

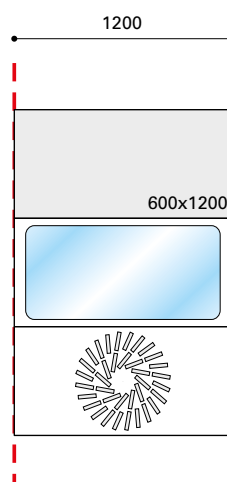
MODULE 300 x 1200 mm • SINGLE ROOF FRAME



Theoretical incidences

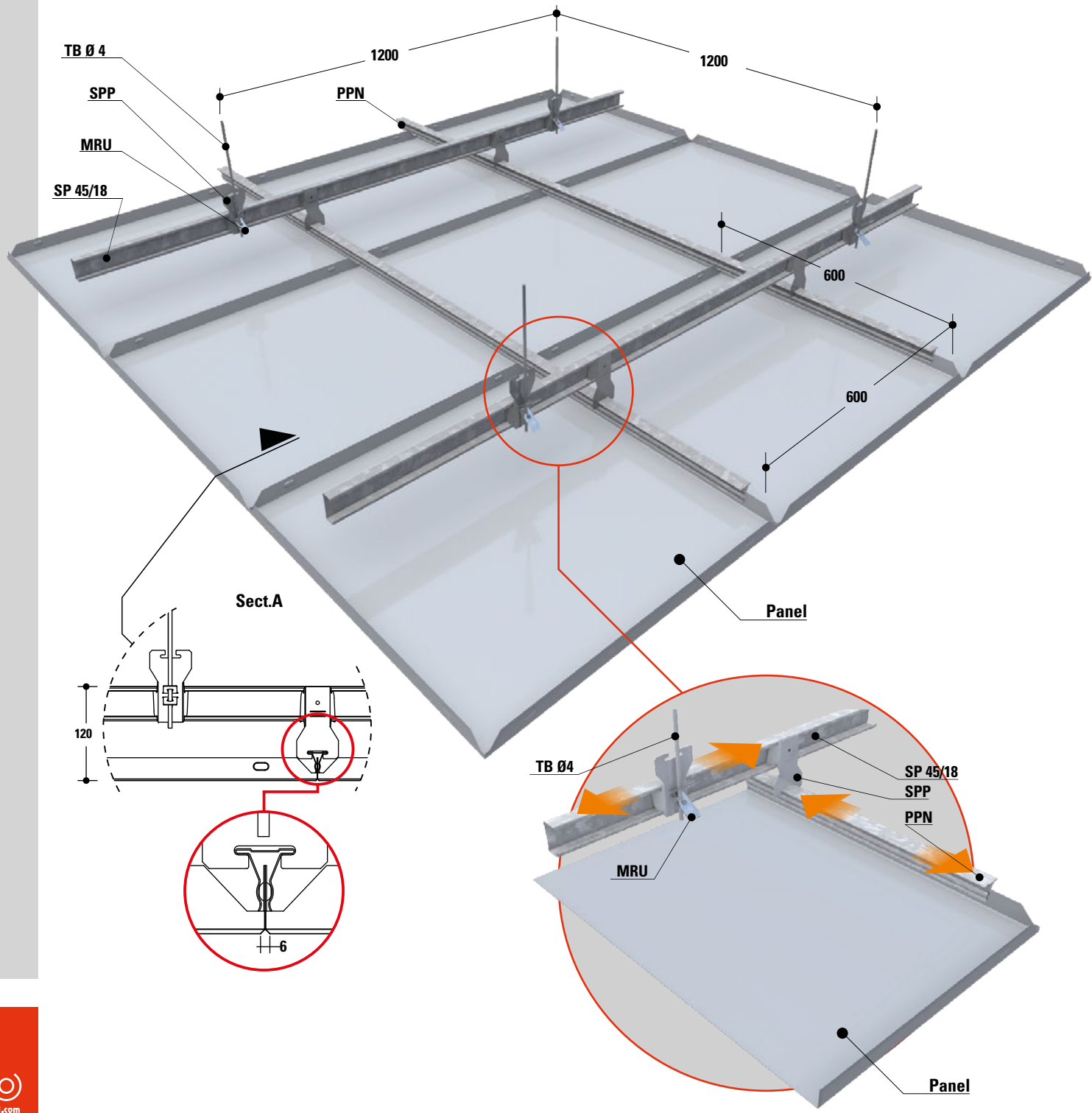
PPN <i>Bearing profile</i>	0,83 m/m ²
Panel <i>300 x 1200 mm</i>	2,78 pc/m ²
SPP <i>Suspension for PPN</i>	0,70 pc/m ²
MRU <i>Tuning spring</i>	0,70 pc/m ²
TBØ4 <i>Rod bar</i>	0,70 pc/m ²
TNT <i>Acoustic fleece</i>	2,78 pc/m ²

MODULE 600 x 1200 mm • SINGLE ROOF FRAME

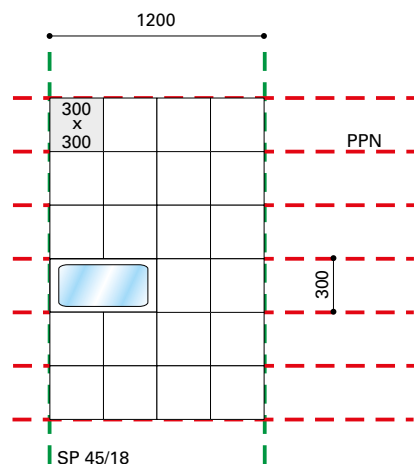


Theoretical incidences

PPN <i>Bearing profile</i>	0,83 m/m ²
Panel <i>600 x 1200 mm</i>	1,39 pc/m ²
SPP <i>Suspension for PPN</i>	0,70 pc/m ²
MRU <i>Tuning spring</i>	0,70 pc/m ²
TBØ4 <i>Rod bar</i>	0,70 pc/m ²
TNT <i>Acoustic fleece</i>	1,39 pc/m ²



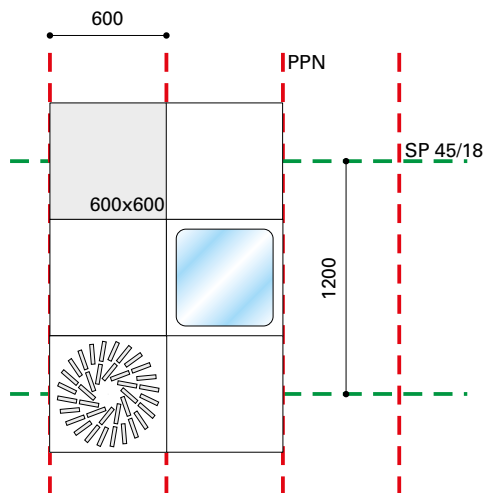
MODULE 300 x 300 mm • DOUBLE ROOF FRAME



Theoretical incidences

PPN <i>Bearing profile</i>	3,33 m/m ²
Panel <i>300 x 300 mm</i>	11,11 pc/m ²
SPP <i>Suspension for PPN</i>	3,48 pc/m ²
MRU <i>Tuning spring</i>	0,70 pc/m ²
TBØ4 <i>Rod bar</i>	0,70 pc/m ²
TNT <i>Acoustic fleece</i>	11,11 pc/m ²
SP 45/18 <i>Primary Profile</i>	0,83 m/m ²

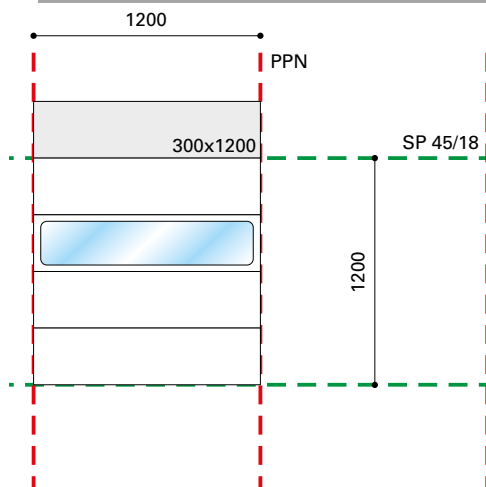
MODULE 600 x 600 mm • DOUBLE ROOF FRAME



Theoretical incidences

PPN <i>Bearing profile</i>	1,67 m/m ²
Panel <i>600 x 600 mm</i>	2,78 pc/m ²
SPP <i>Suspension for PPN</i>	2,10 pc/m ²
MRU <i>Tuning spring</i>	0,70 pc/m ²
TBØ4 <i>Rod bar</i>	0,70 pc/m ²
TNT <i>Acoustic fleece</i>	2,78 pc/m ²
SP 45/18 <i>Primary Profile</i>	0,83 m/m ²

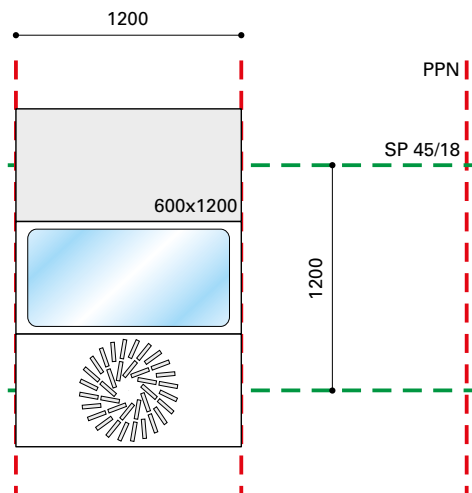
MODULE 300 x 1200 mm • DOUBLE ROOF FRAME



Theoretical incidences

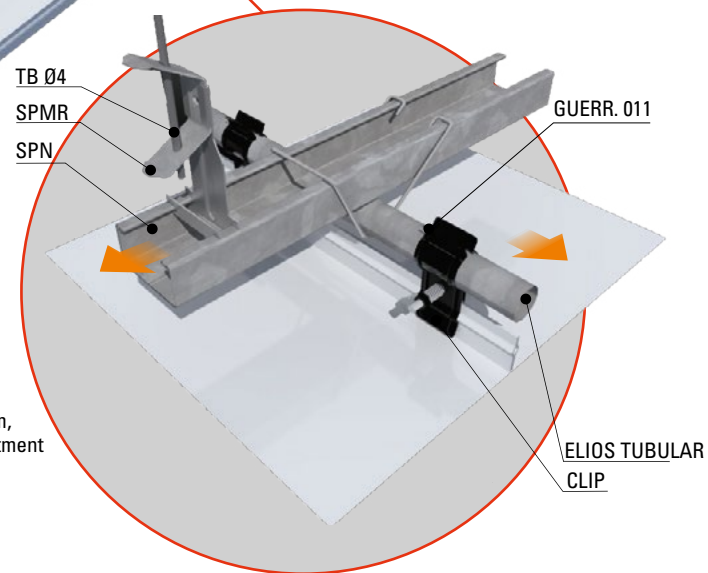
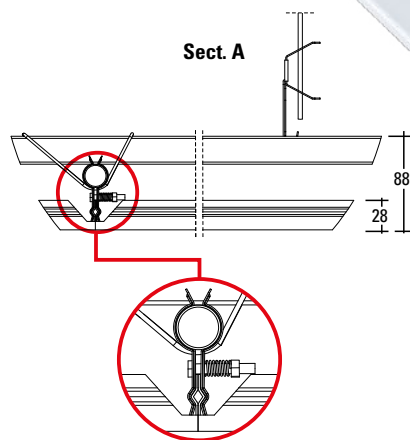
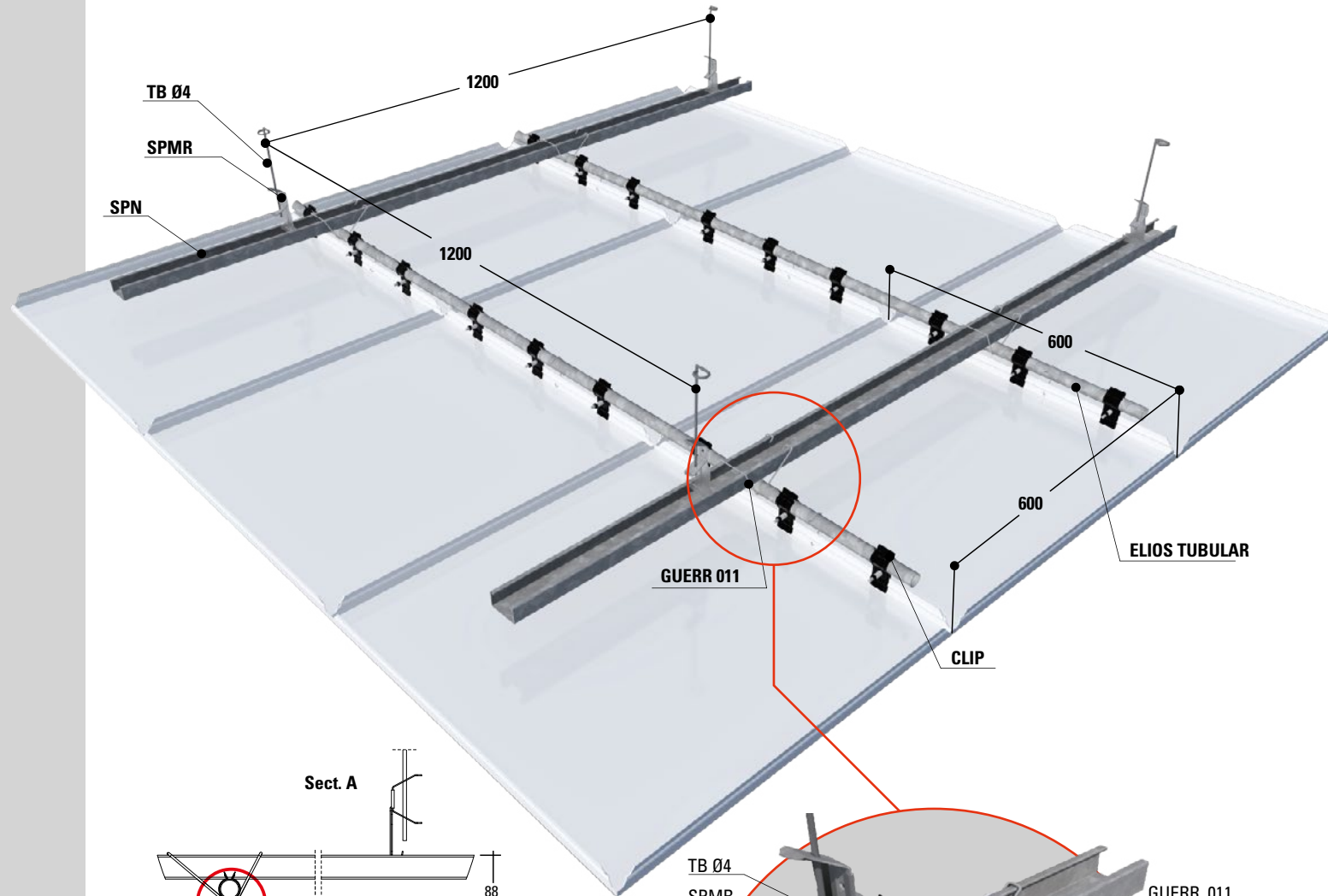
PPN <i>Bearing profile</i>	0,83 m/m ²
Panel <i>300 x 1200 mm</i>	2,78 pc/m ²
SPP <i>Suspension for PPN</i>	1,40 pc/m ²
MRU <i>Tuning spring</i>	0,70 pc/m ²
TBØ4 <i>Rod bar</i>	0,70 pc/m ²
TNT <i>Acoustic fleece</i>	2,78 pc/m ²
SP 45/18 <i>Primary Profile</i>	0,83 m/m ²

MODULE 600 x 1200 mm • DOUBLE ROOF FRAME



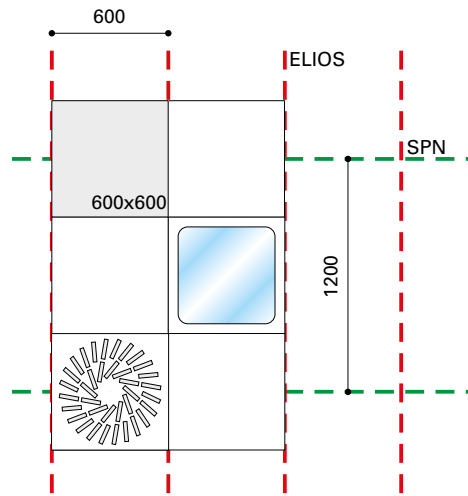
Theoretical incidences

PPN <i>Bearing profile</i>	0,83 m/m ²
Panel <i>600 x 1200 mm</i>	1,39 pc/m ²
SPP <i>Suspension for PPN</i>	1,40 pc/m ²
MRU <i>Tuning spring</i>	0,70 pc/m ²
TBØ4 <i>Rod bar</i>	0,70 pc/m ²
TNT <i>Acoustic fleece</i>	1,39 pc/m ²
SP 45/18 <i>Primary Profile</i>	0,83 m/m ²



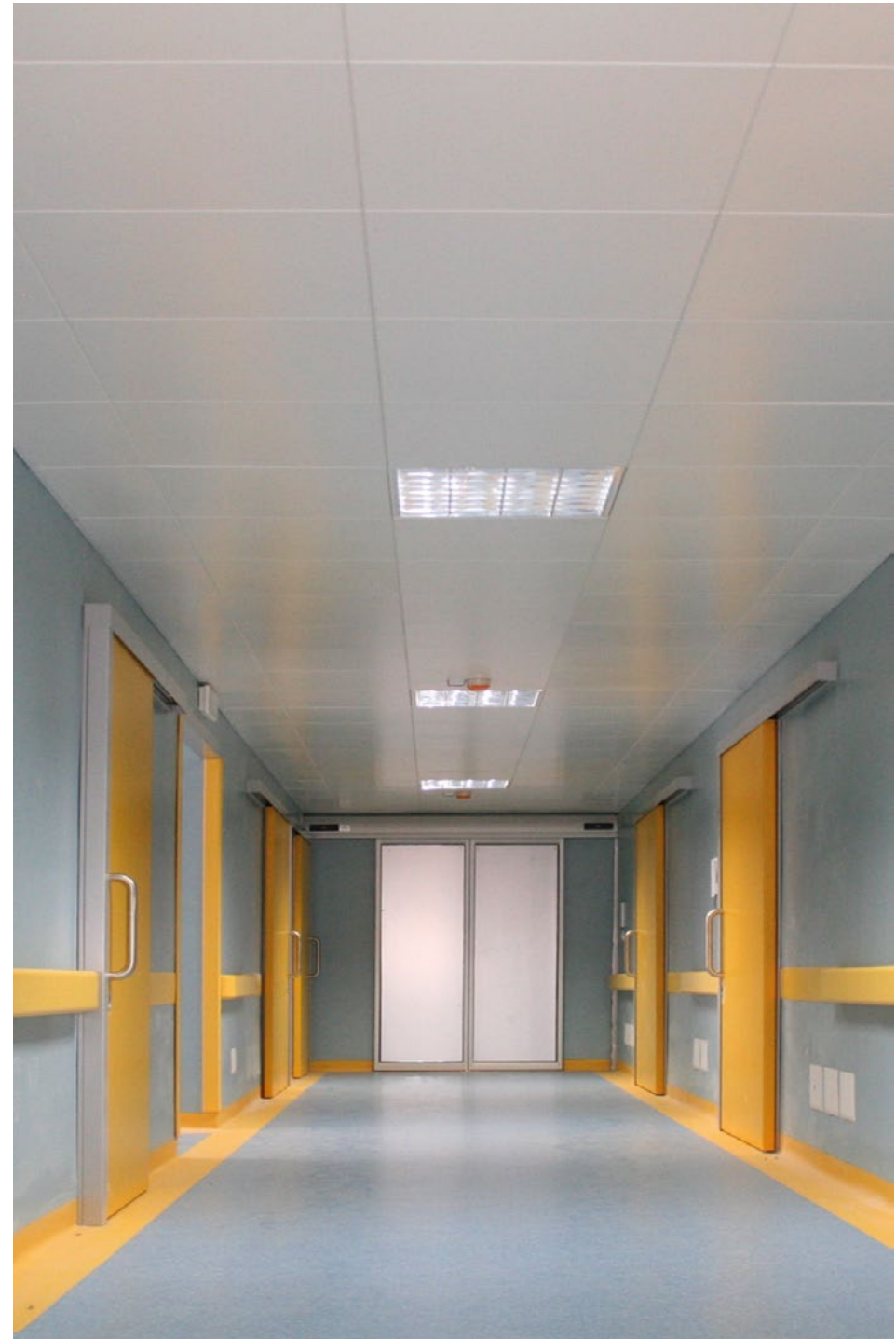
Mounting system, horizontal adjustment

MODULE 600 x 600 mm • OCCULTO CLIP



Theoretical incidences

ELIOS <i>Secondary tubular</i>	1,67 m/m ²
Panel <i>600 x 600 mm</i>	2,78 pc/m ²
CLIP <i>Spring accessory</i>	8,33 pc/m ²
GUERR011 <i>Connection spring</i>	1,40 pc/m ²
SPMR <i>Accessory with spring</i>	0,70 pc/m ²
TBØ4 <i>Rod bar</i>	0,70 pc/m ²
TNT <i>Acoustic fleece</i>	2,78 pc/m ²
SPN <i>Primary profile</i>	0,83 m/m ²



LED LIGHTING

PANEL

Panel finish can be either pre- or post-varnished, based on the panel of the false ceiling.

BODY

Aluminium sheet, thickness 8/10, post-varnished. It is equipped with fixing accessories.

OPTICAL GROUP

Colour rendering Ra >90

Plexiglass LED high light transmittance.

WIRING / ELECTRONICS

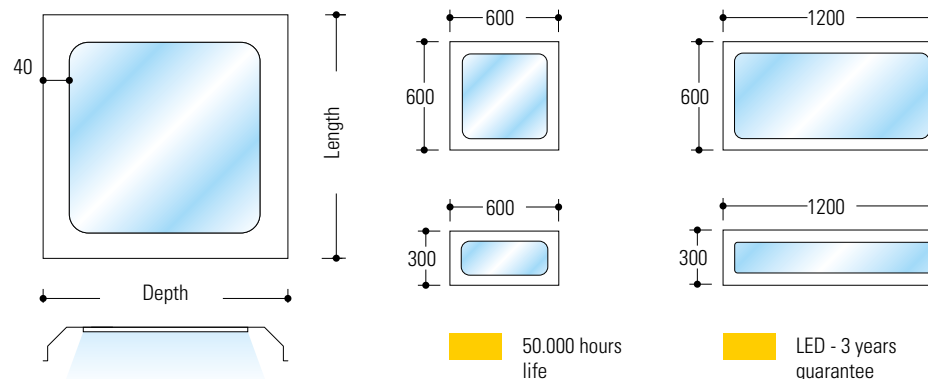
Power supply 230/50Hz with cable section 0.75mm² and PVC-HT flame retarding sheath according to CEI 20-35 standards and in compliance with CEI 20.20 and CEI CENELEC HD 21 standards.

Automatic terminal box 2P+T or 4P+T, maximum wire section allowed 2.5 mm².

Insulation class I.

Suitable for installation on normally inflammable surfaces.

Electronic ballast EEI=A2 220-240, 0/50-60Hz. Power factor > 0.95.



EC marked product



Power supply 230v – 50hz



Protection degree



Recycling and Raee management



LED lighting



RGB



Installation from below



Dimmability



Emergency 2h/3h

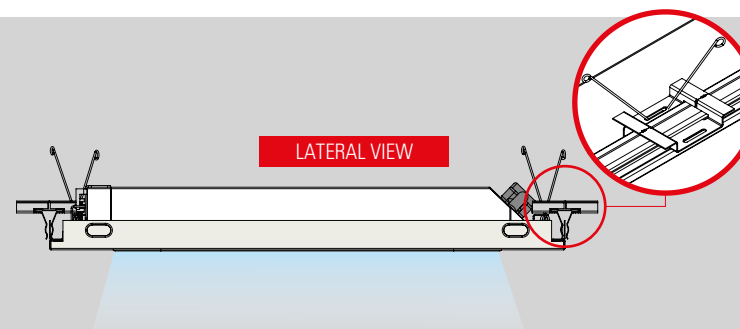


Special waste



Suitable for installation in isolated false ceilings

LED modules not replaceable by the end user

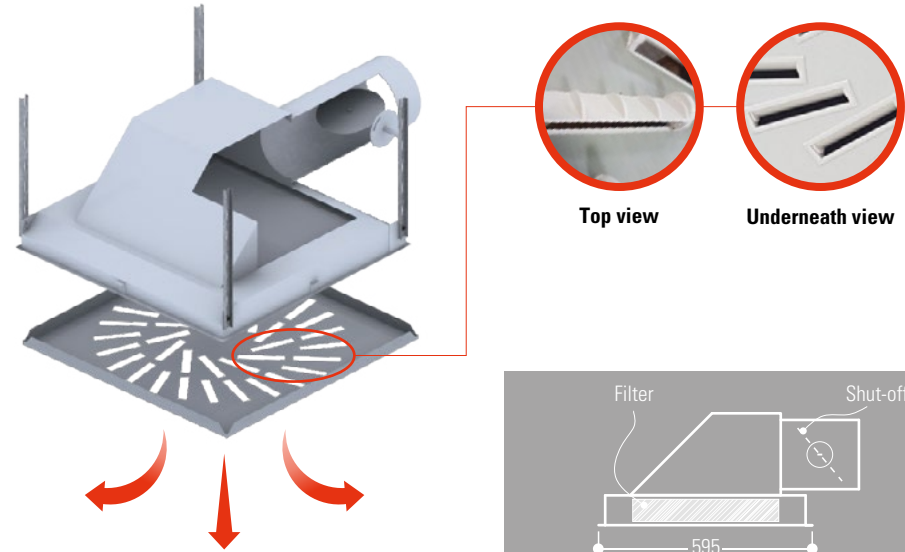


VENTILATION

INTEGRATED DIFFUSERS FOR AIR CONDITIONING

DISTRIBUTION PLENUM

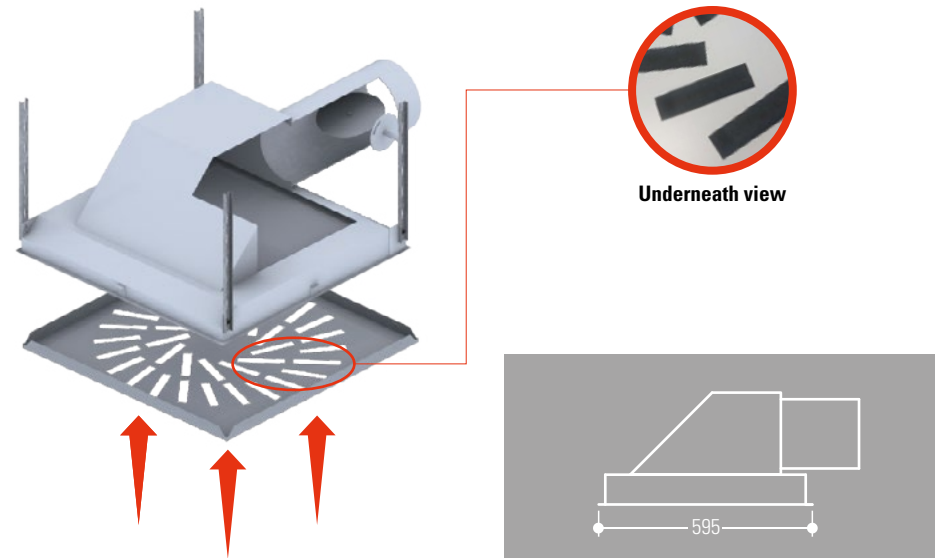
Distribution plenum with dimensions 595x595 mm made of galvanized post-varnished steel that can be perfectly integrated in the false ceiling. The diffuser is complete of Hepa H14 filter, shut-off and thermo-plastic fins for the regulation of air distribution.



RETURN PLENUM

Return plenum with dimensions 595x595 mm made of galvanized post-varnished steel that can be perfectly integrated in the false ceiling.

The diffuser is complete of slits in radial arrangement, made by directly cutting the pre- or post-varnished panel, as shown in the detail.



Note: The plenum, mounted on the supporting structure, must be suspended rigidly with slotted bars. The screen will have to be mounted by following the same procedures as the false ceiling