

**E STRIP**



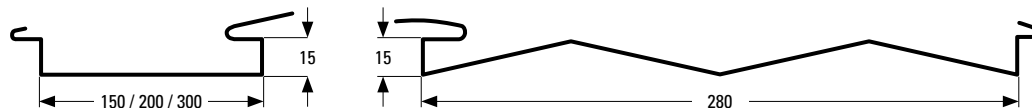


FOR EXTERIOR

# E STRIP

Our E STRIP has a square edge and is particularly suitable for false ceilings or façade cladding, giving a strong personality to buildings. Aesthetically it gives a modern touch, parallel and coplanar, while at the same time ensuring wind resistance.

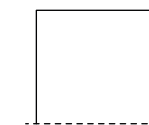
Made with passion, it is available in aluminium or steel and its surface can be smooth or pleated to offer the designer the right solution for any architectural requirement.



## Technical characteristics

European Standard:	CE EN 13964
Durability:	Class B
Fire resistance:	A1
Sound absorption:	EN ISO 354
Standard colour:	• Silver • White • AISI • Post-painted
Finish:	• Smooth
Standard material:	Aluminium (3000H46 / 1050AH) Galvanized steel (DX51DZ)
Standard thickness:	Aluminium 0,6 - 0,8 mm Steel 0,5 - 0,6 mm
Standard dimensions:	E150      150x15 mm E200      200x15 mm E300      300x15 mm E300 pleated      280x15 mm

## Finish



Smooth

# SYSTEM FOR FALSE CEILING

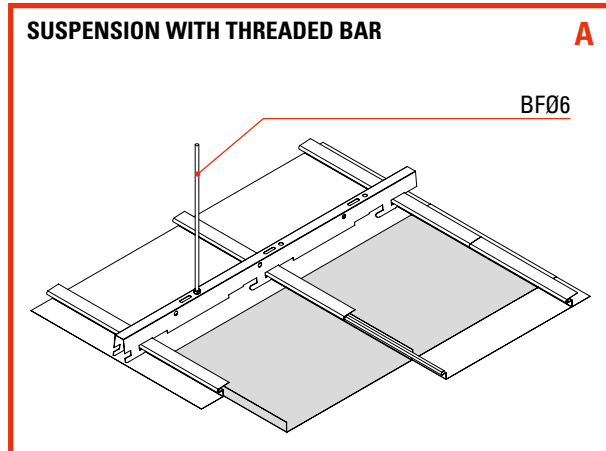
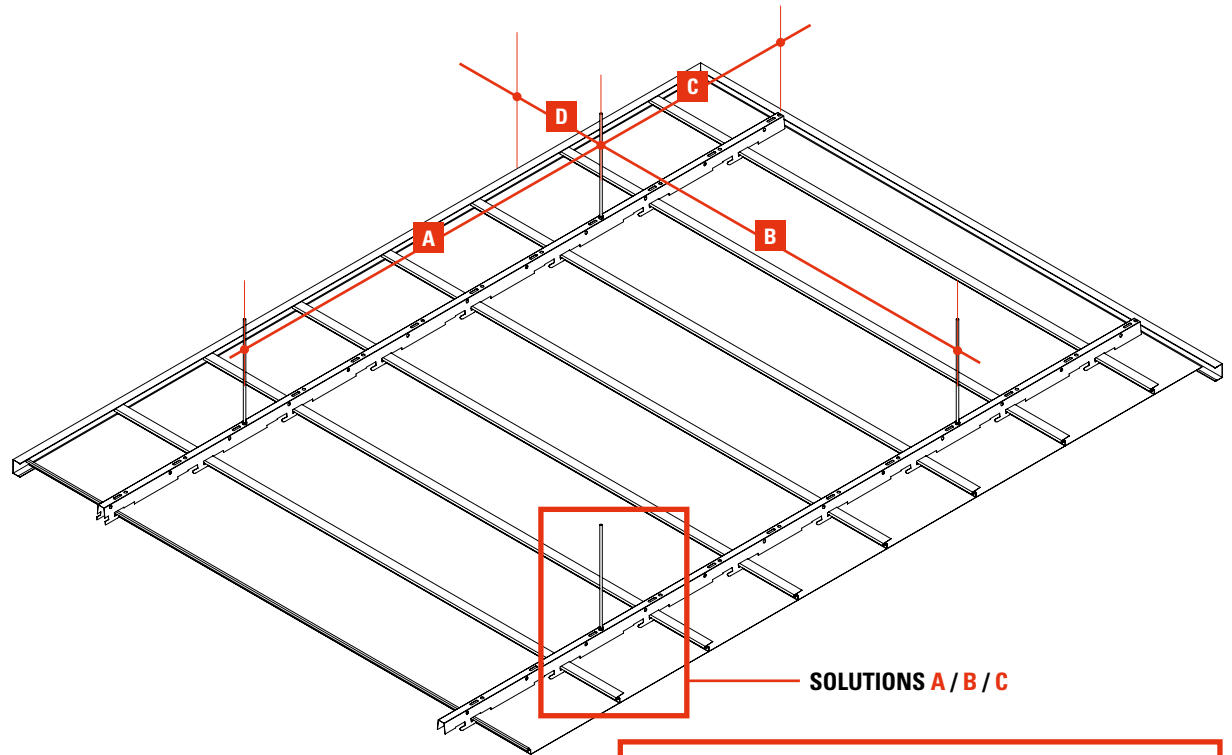
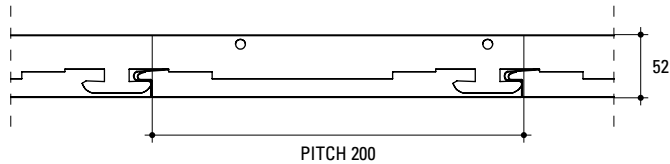
## Strips incidence and suitable carriers

Strip type	Pitch	Strips m/m <sup>2</sup>	Suitable carrier	Carrier m/m <sup>2</sup>	Suspensions pcs/m <sup>2</sup>
E150	150	6,7	TR5 /150 - 300	0,83	0,70
E200	200	5,0	TR5 / 200	0,83	0,70
E300	300	3,3	TR5 /150 - 300	0,83	0,70

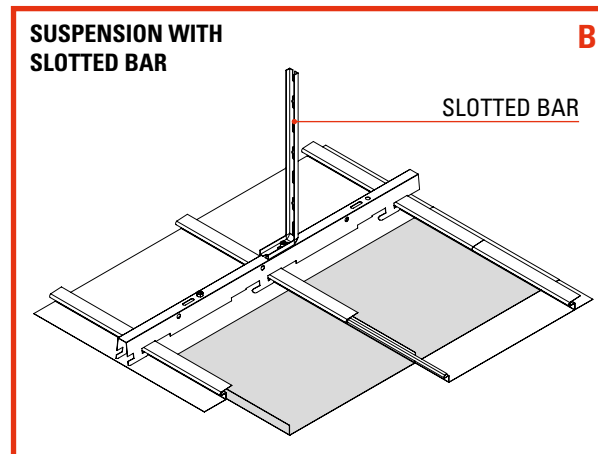
## Maximum wheelbase and overhang advised

	A	B	C	D
With insulation*	1200	1100	700	600
Without insulation	1200	1200	700	800

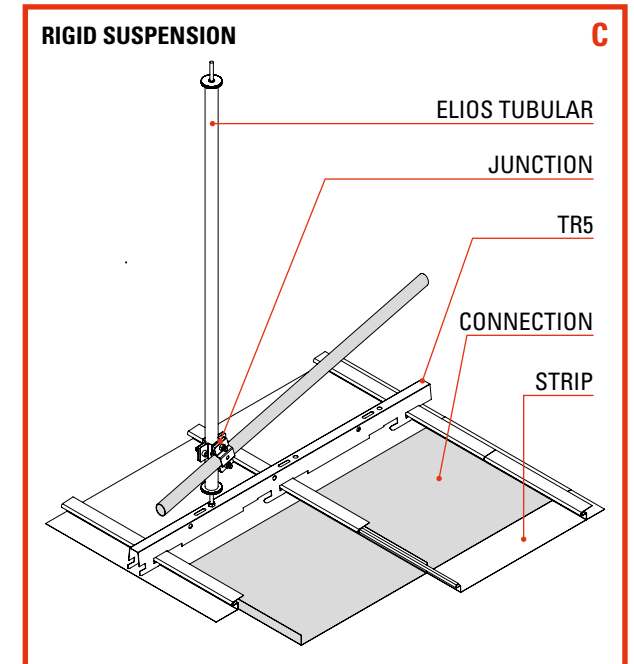
\* 3 cm thick sound-absorbing mat of glass wool, rock wool or polyester



Suspension height up to 300



Suspension height up to 600



Suspension height up to 600

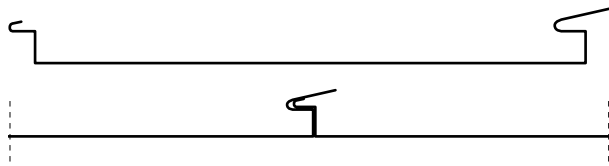
# SYSTEM FOR FAÇADE CLADDING

## Maximum wheelbase and overhang advised

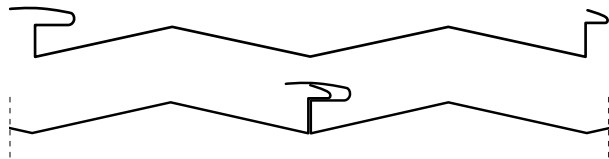
	A	B
With insulation*	150	120
Without insulation	150	150

\* 3 cm thick sound-absorbing mat of glass wool, rock wool or polyester

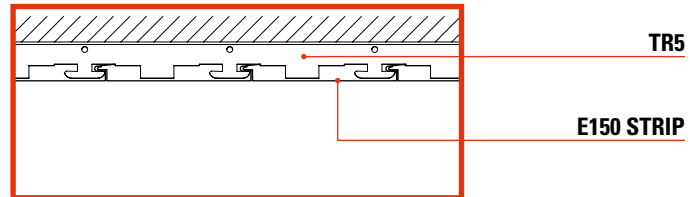
### Smooth strip



### Pleated strip



### Bonded cladding



### Spaced cladding

