

T50 STRIP





FOR INTERIOR

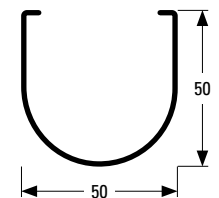
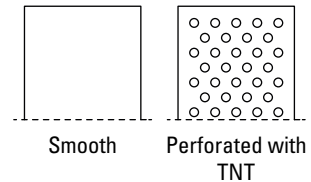
T50 STRIP

Our T50 STRIP is a variant of the Q strip but with a rounded base that makes the line softer without sacrificing the play of shadow created by the joint and the height with the ceiling. It can be combined with the Q strip or with other modules on the carrier to create a unique play of shapes and/or colours.

Technical characteristics

European Standard:	CE EN 13964
Durability:	Classe B
Fire resistance:	A1
Sound absorption:	EN ISO 354
Standard colour:	• Silver • White • AISI • Post-painted
Finish:	• Smooth • Perforated
Standard material:	Alluminium (3000H46 / 1050AH) Galvanized steel (DX51DZ)
Standard thickness:	Alluminium 0,5 - 0,6 - 0,8 mm Steel 0,4 - 0,5 - 0,6 mm
Dimensioni standard:	T50 50x50 mm

Finish



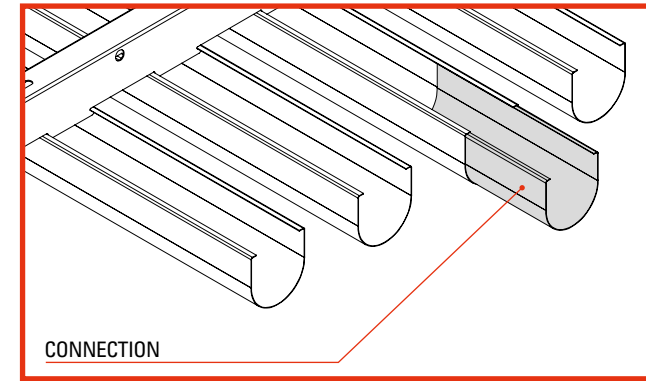
Strips incidence and suitable carriers

Strip type	Pitch	Strips m/m ²	Suitable carrier	Carrier m/m ²	Suspension pcs/m ²
T50	100	10	TR13	0,83	0,70

Maximum wheelbase and overhang advised

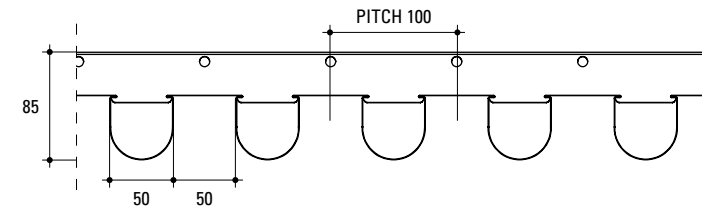
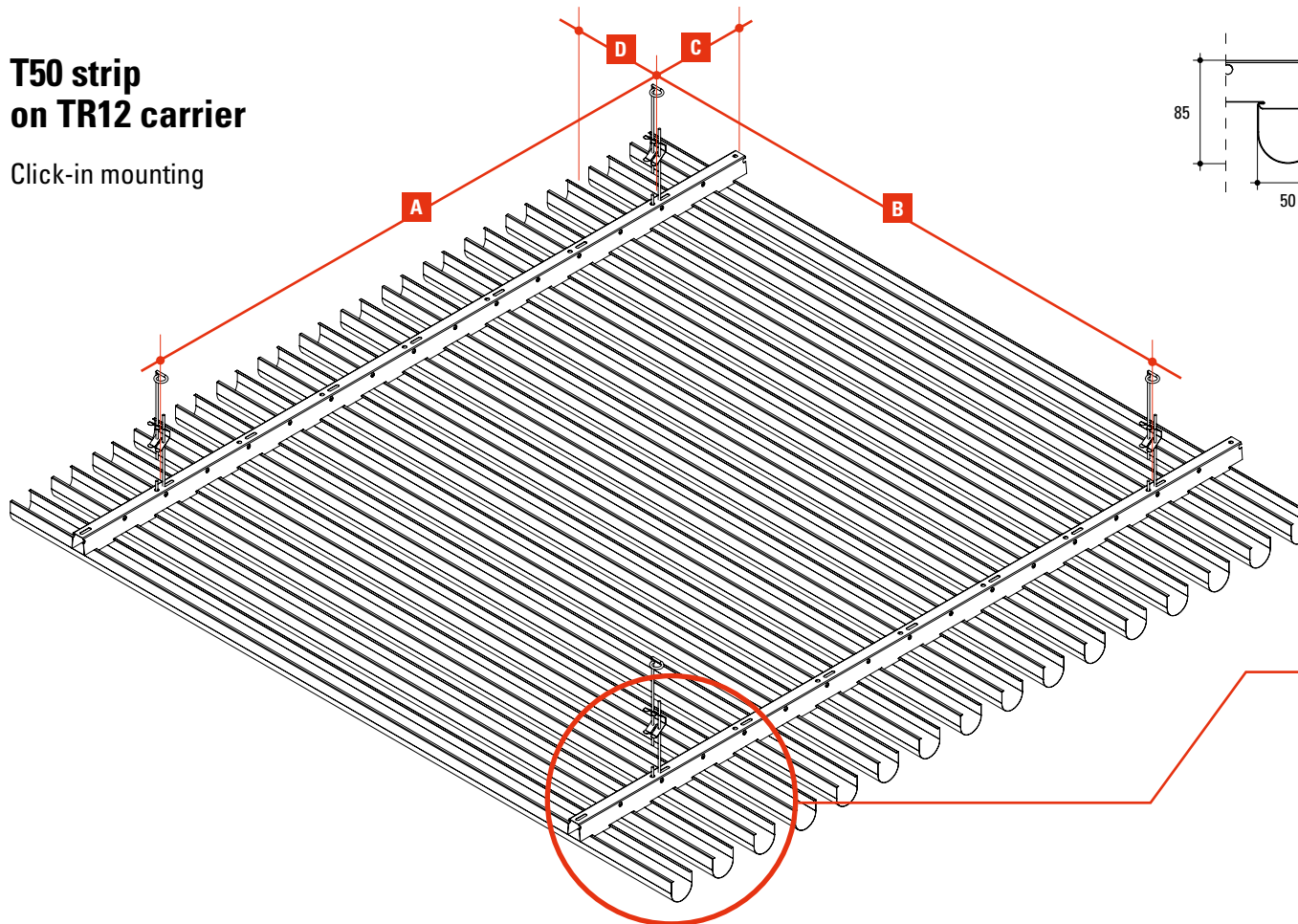
	A	B	C	D
With insulation*	1200	1100	300	300
Without insulation	1200	1200	400	400

* 3 cm thick sound-absorbing mat of glass wool, rock wool or polyester



T50 strip on TR12 carrier

Click-in mounting



TFCØ4

MR

SG

TR12

T50 STRIP