

A STRIP



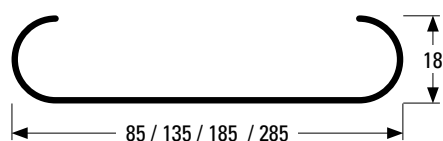


A STRIP

Strip with joint, individually serviceable

Our A Strip is the classic profiled strip with rounded edges for hooking onto suspended carriers. Simple to install, it is an aesthetically universal solution.

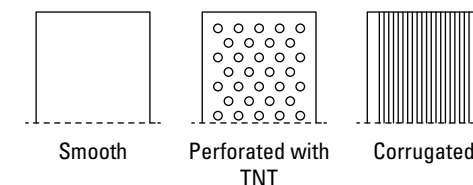
Made with passion and the best materials, it is available in steel and aluminium, with smooth, perforated or corrugated finish.



Technical characteristics

European Standard:	CE EN 13964
Durability:	Class B
Fire resistance:	A1
Sound absorption:	EN ISO 354
Standard colour:	• Silver • White • AISI • Post-painted
Finish:	• Smooth • Perforated • Corrugated
Standard Material:	Aluminium (3000H46 / 1050AH) Galvanized steel (DX51DZ)
Standard thickness:	Aluminium 0,5 - 0,6 - 0,8 mm Steel 0,4 - 0,5 - 0,6 mm
Standard dimensions:	A85 85x18 mm A135 135x18 mm A185 185x18 mm A285 285x18 mm

Finish



Medium Theoretical incidences and suitable carriers

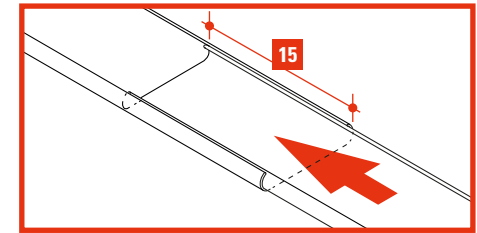
Strip type	Pitch	Strips m/m ²	Suitable carrier	Carrier m/m ²	Suspensions pcs/m ²
A85	90	11,1	TR2	0,83	0,70
A85	100	10,0	TR1 - TR4	0,83	0,70
A135	150	6,6	TR4	0,83	0,70
A185	200	5,0	TR1 - TR4	0,83	0,70
A285	300	3,3	TR1-TR4	0,83	0,70

NB: with the installation of ceiling lamps the incidence of carriers and suspensions may vary.

Maximum wheelbase and overhang advised

	A	B	C	D
With insulation*	1200	1100	700	400
Without insulation	1200	1200	800	600

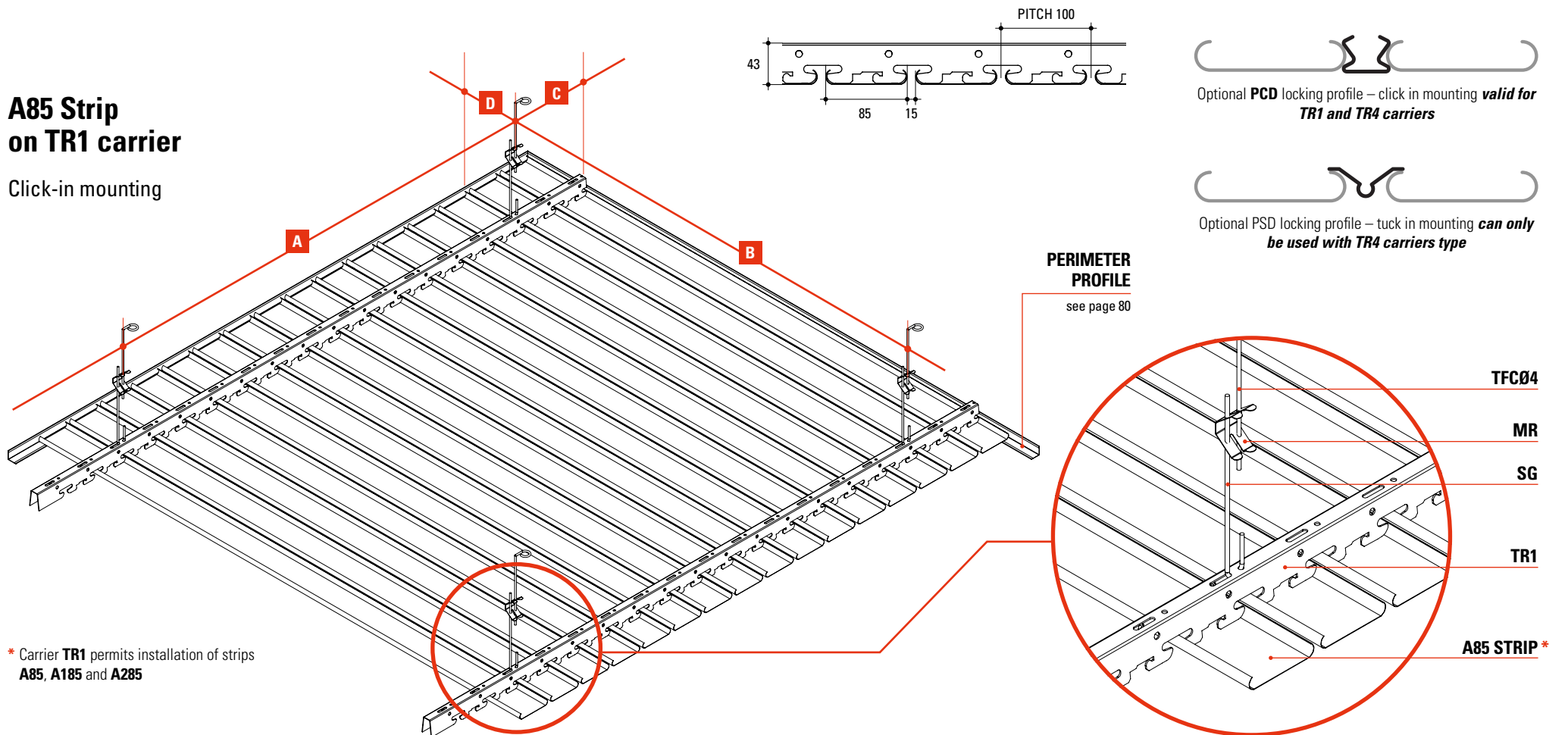
* 3 cm thick sound-absorbing mat of glass wool, rock wool or polyester



STRIPS EXTENSION

A85 Strip on TR1 carrier

Click-in mounting



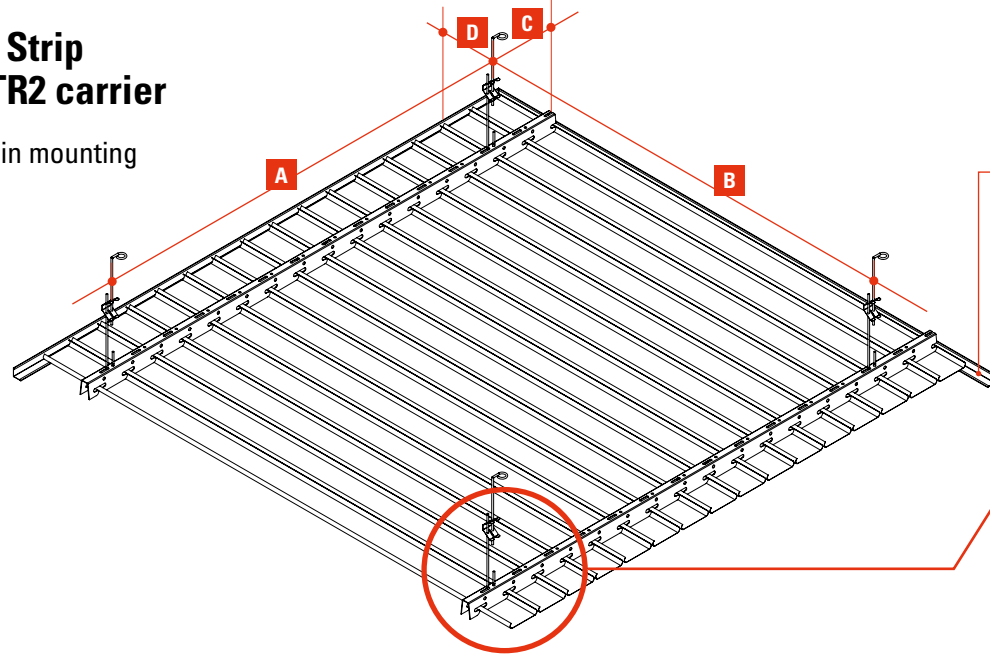
PERIMETER PROFILE

see page 80

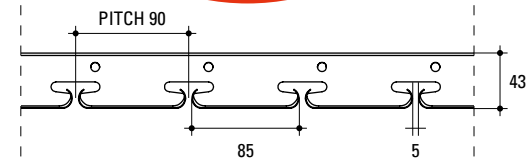
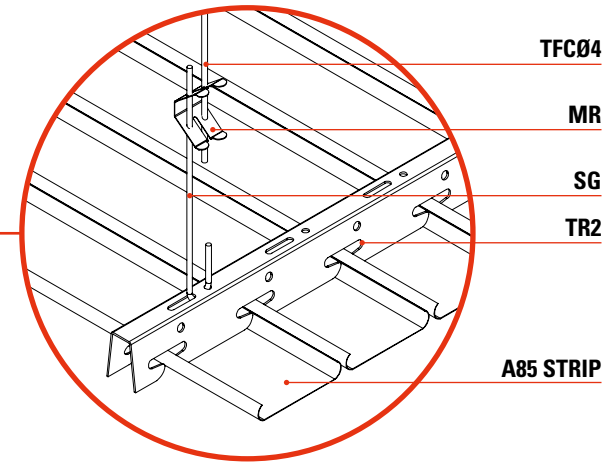
* Carrier TR1 permits installation of strips A85, A185 and A285

A85 Strip on TR2 carrier

Click in mounting

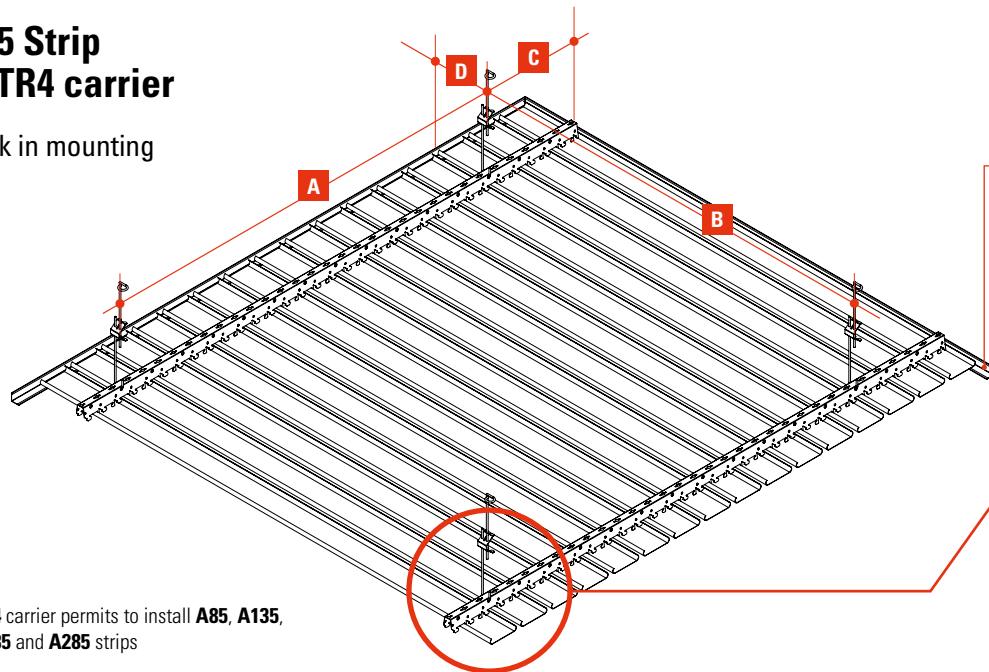


**PERIMETER
PROFILE**
see page 80

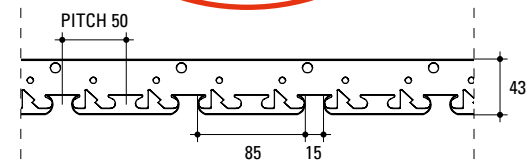
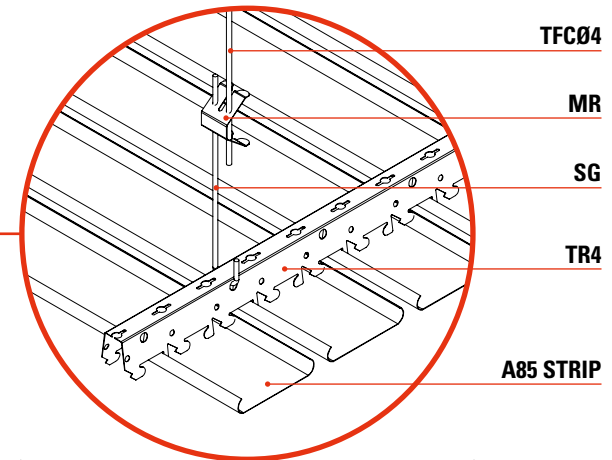


A85 Strip on TR4 carrier

Click in mounting



**PERIMETER
PROFILE**
see page 80



* TR4 carrier permits to install A85, A135, A185 and A285 strips