

C STRIP

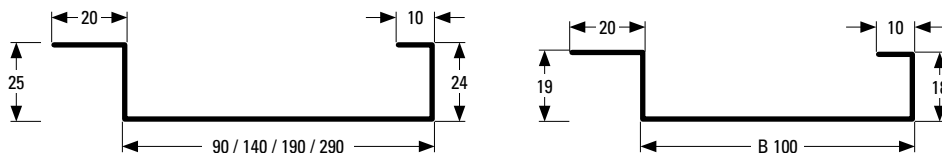




C STRIP

Our C STRIP is especially suitable for aesthetically linear environments, thanks to the profiling with sharp edges at each point of hooking to the suspended carriers, it allows to check, if necessary, any installation placed above.

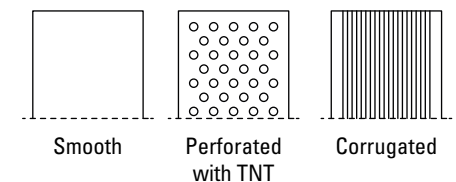
This particularity, gives the possibility to create a joint avoiding open gaps.



Technical characteristics

European Standard:	CE EN 13964								
Durability:	Class B								
Fire resistance:	A1								
Sound absorption:	EN ISO 354								
Standard colour:	<ul style="list-style-type: none"> • Silver • White • AISI • Post-painted 								
Finish:	<ul style="list-style-type: none"> • Smooth • Perforated • Corrugated 								
Standard material:	Aluminium (3000H46 / 1050AH) Galvanized steel (DX51DZ)								
Standard thickness:	Aluminium 0,5 - 0,6 - 0,8 mm Steel 0,4 - 0,5 - 0,6 mm								
Standard dimension:	<table border="0"> <tr> <td>C100</td> <td>100x25 mm</td> </tr> <tr> <td>C150</td> <td>150x25 mm</td> </tr> <tr> <td>C200</td> <td>200x25 mm</td> </tr> <tr> <td>C300</td> <td>300x25 mm</td> </tr> </table>	C100	100x25 mm	C150	150x25 mm	C200	200x25 mm	C300	300x25 mm
C100	100x25 mm								
C150	150x25 mm								
C200	200x25 mm								
C300	300x25 mm								

Finish



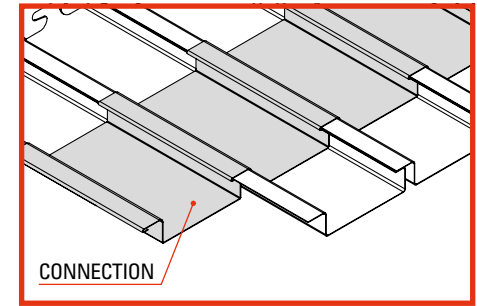
Strips incidences and suitable carriers

Strip type	Pitch with joint	Pitch without joint	Strips m/m ² with joint	Strips m/m ² without joint	Suitable carrier	Support carrier	Carrier m/m ²	Suspensions pcs/m ²
C100	100	90	10,0	11,1	TRO	TR6	0,83	0,70
C150	150	140	6,67	7,14	TRO	TR6	0,83	0,70
C200	200	190	5,0	5,26	TRO	TR6	0,83	0,70
C300	300	290	3,33	3,45	TRO	TR6	0,83	0,70
C100.B	-	100	10,0	-	TRO	TR6	0,83	0,70

Maximum wheelbase and overhang advised

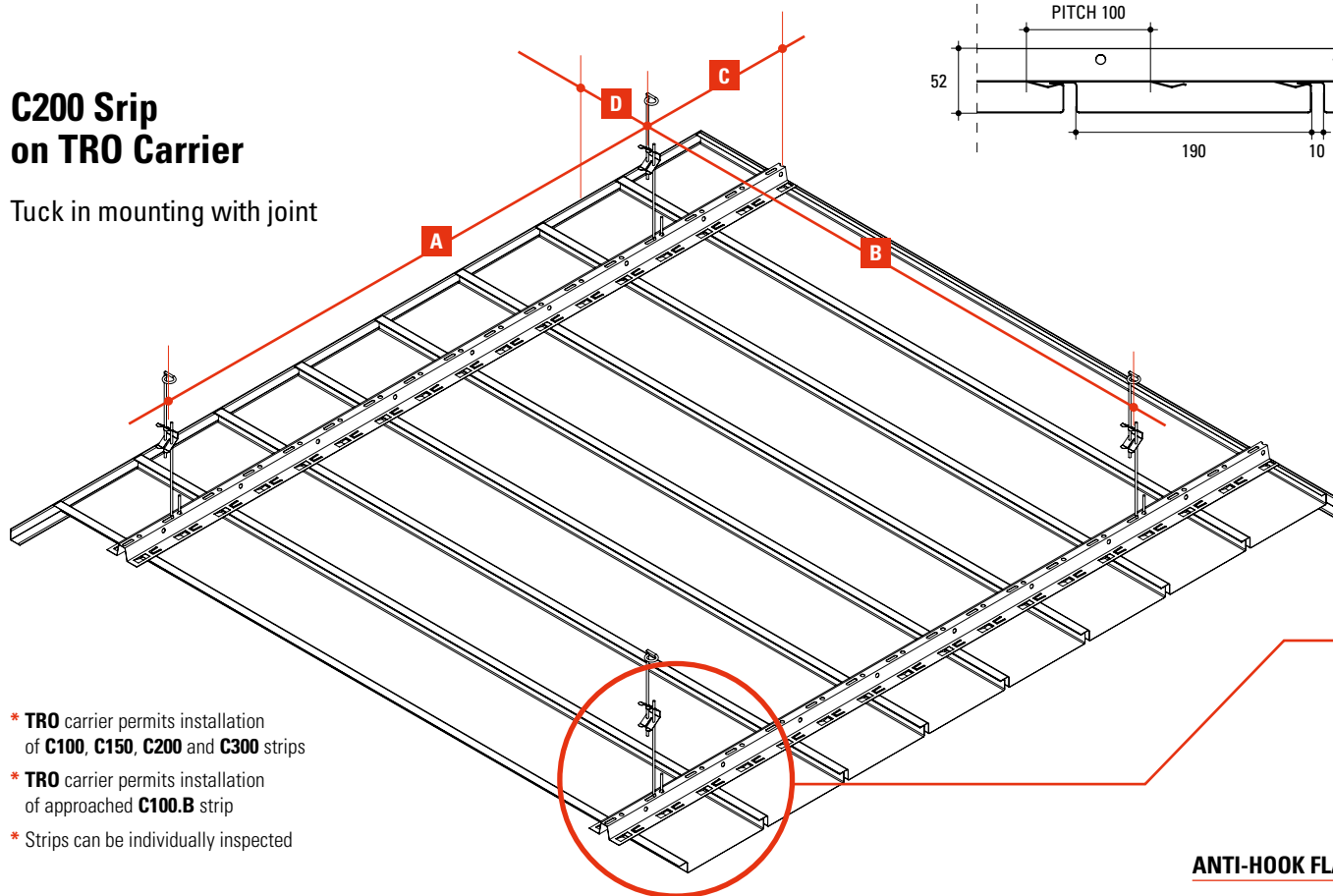
	A	B	C	D
With insulation*	1200	1100	700	500
Without insulation	1200	1200	800	800

* 3 cm thick sound-absorbing mat of glass wool, rock wool or polyester



C200 Strip on TRO Carrier

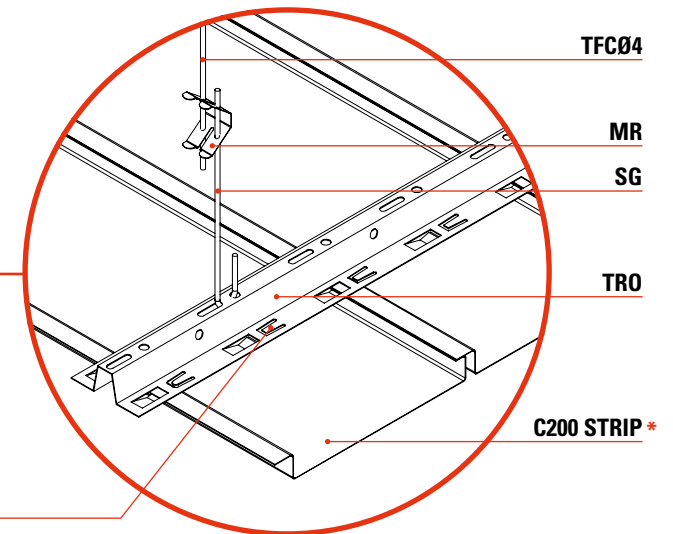
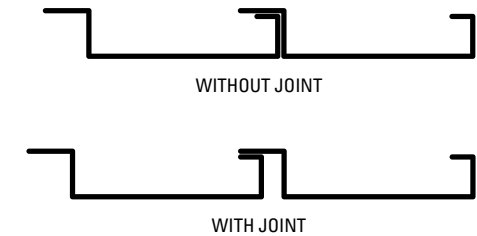
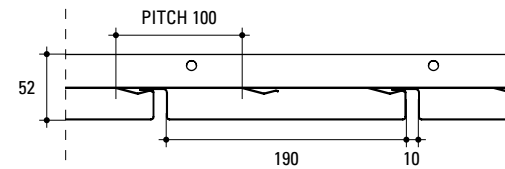
Tuck in mounting with joint



* TRO carrier permits installation of C100, C150, C200 and C300 strips

* TRO carrier permits installation of approached C100.B strip

* Strips can be individually inspected

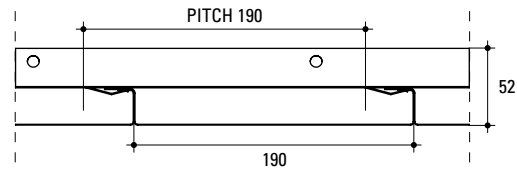
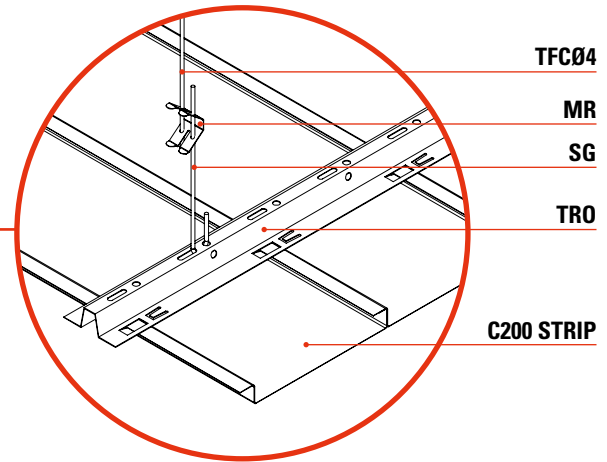
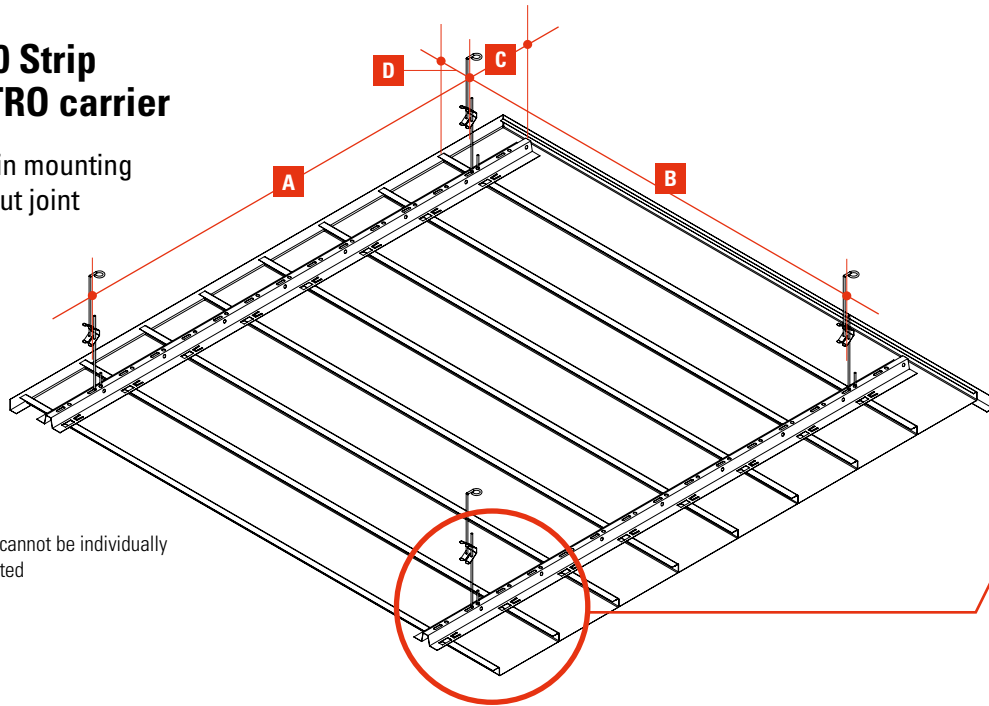


ANTI-HOOK FLAP

C200 Strip on TRO carrier

Tuck in mounting without joint

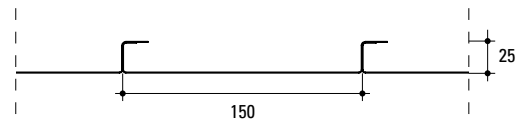
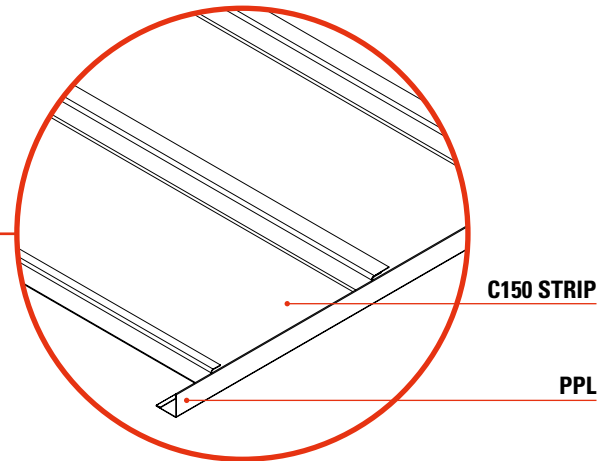
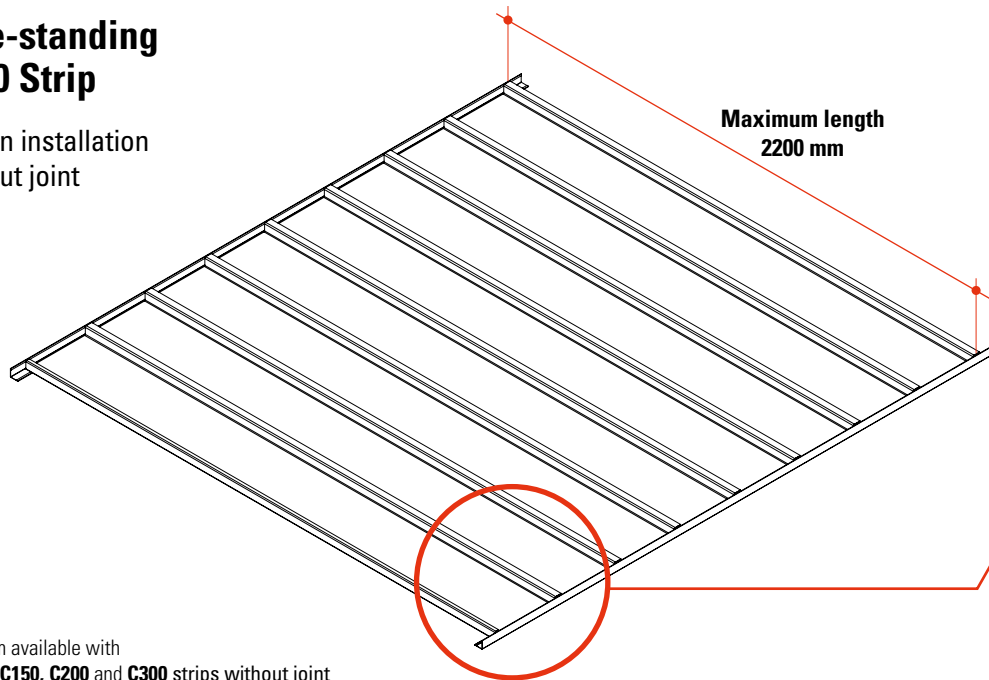
* Strips cannot be individually inspected



Free-standing C150 Strip

Lay-on installation without joint

Maximum length 2200 mm



* System available with C100, C150, C200 and C300 strips without joint