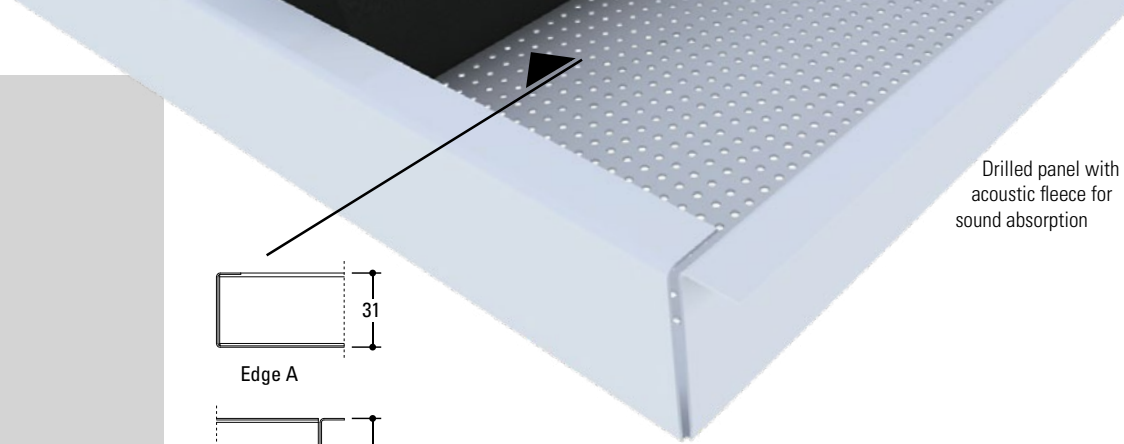


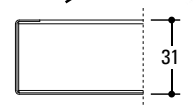
# VERT BANDRASTER



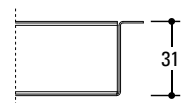
BANDRASTER



Drilled panel with acoustic fleece for sound absorption

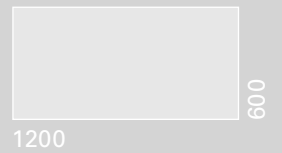


Edge A

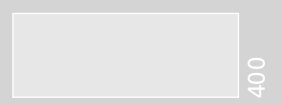


Edge B

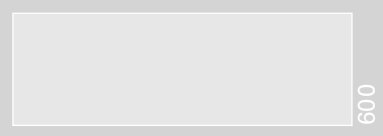
### STANDARD MODULES



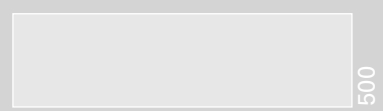
1200



1200



1800

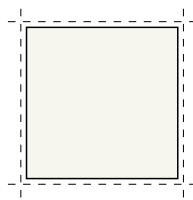


1800

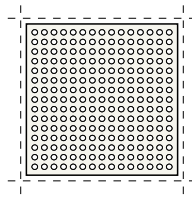
### TECHNICAL SPECIFICATIONS

European regulations:	CE - EN 13964
Durability:	Class B
Fire resistance:	A1
Acoustic absorption:	EN ISO 354
Standard colour:	Prepainted White • Silver • Mirror aluminium Post painted RAL - NCS - Sublimated
Standard material:	Aluminium (Alloy 310H46) Galvanized steel (DX51DZ100)
Standard thickness:	0,4 - 0,5 - 0,6 mm
Standard modules:	600x1200 mm plain edge 400x1200 mm plain edge 600x1800 mm plain edge 500x1800 mm plain edge
Average system weight:	4-5 kg/m <sup>2</sup>

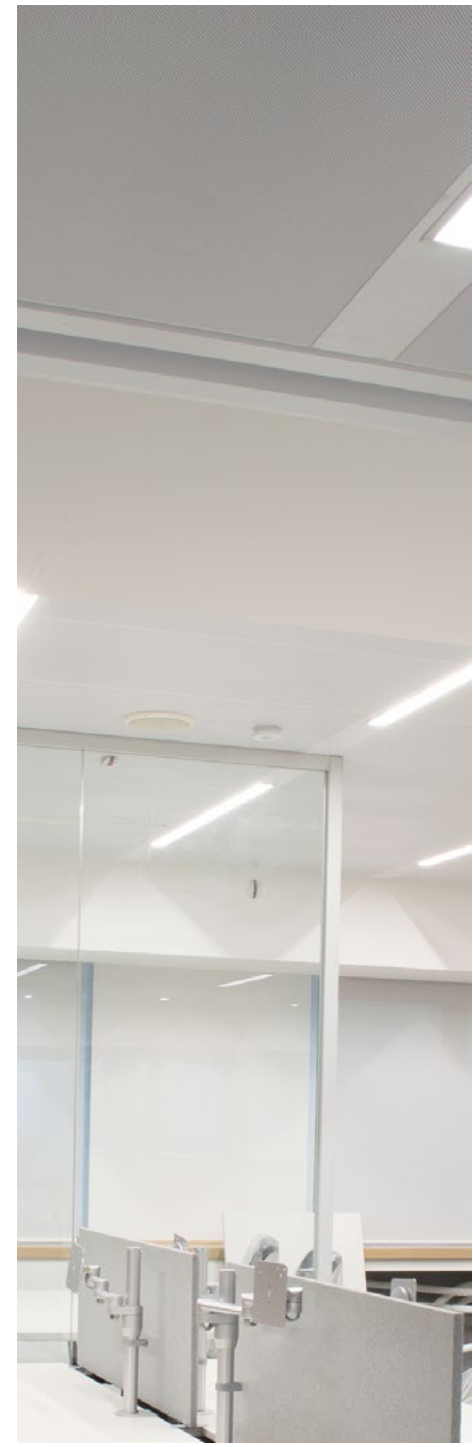
### FINISHING



Plain panel



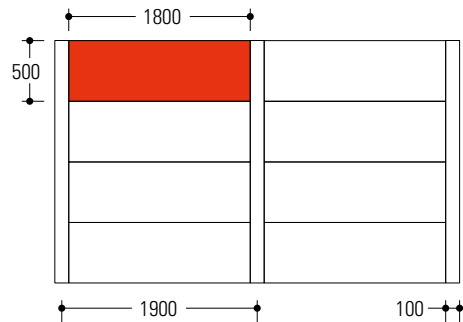
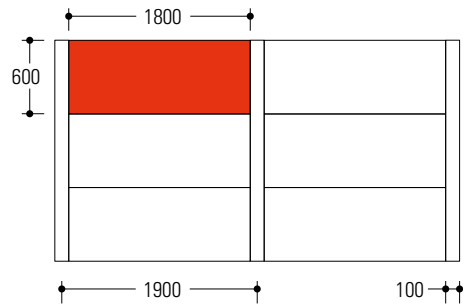
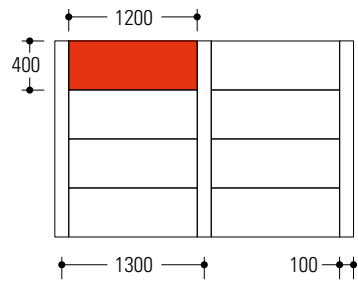
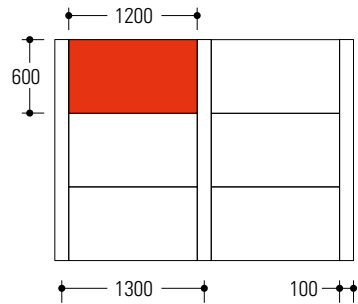
Drilled panel  
with 10 mm plain edge



# VERT BANDRASTER



## STANDARD MODULES

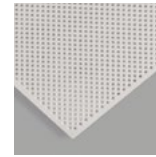


## FINISHING

### PANEL TYPE



Plain panel



Drilled panel  
See page 68

### PRE-PAINTED COLOUR



White



Silver



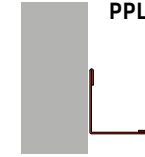
Aluminium  
Mirror

### POST-PAINTED COLOUR

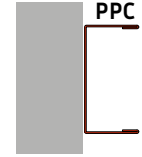
RAL

NCS

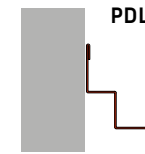
## EDGE PROFILE



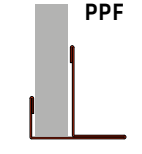
PPL



PPC



PDL



PPF

See page 66

## ACOUSTIC MATERIAL



Acoustic fleece



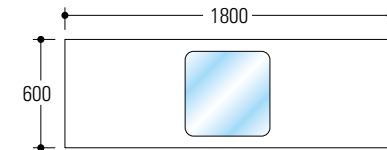
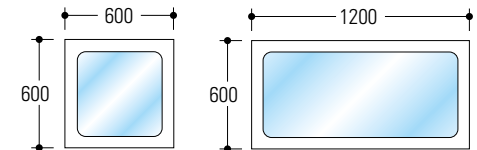
Polyester fibre



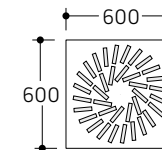
Mineral wool

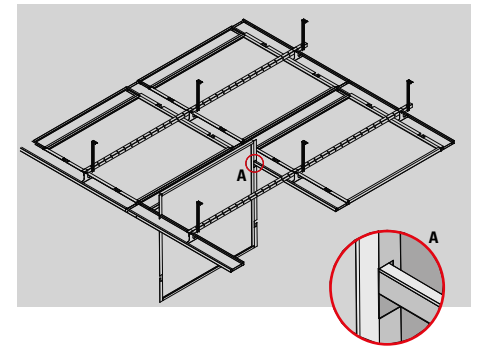
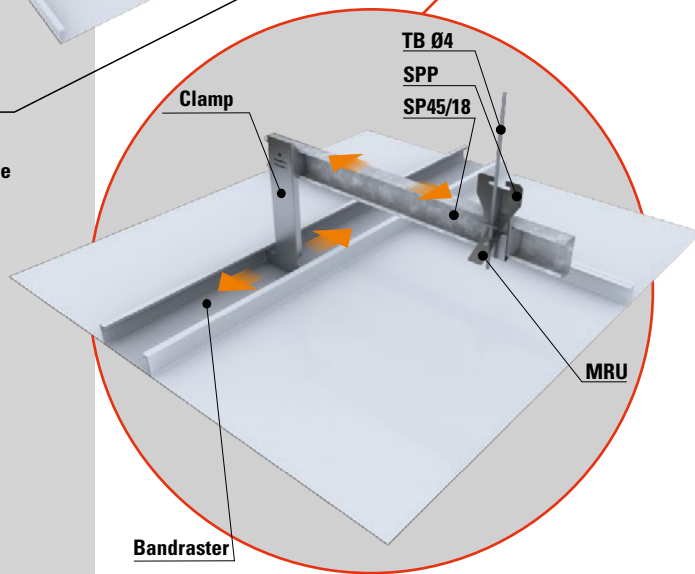
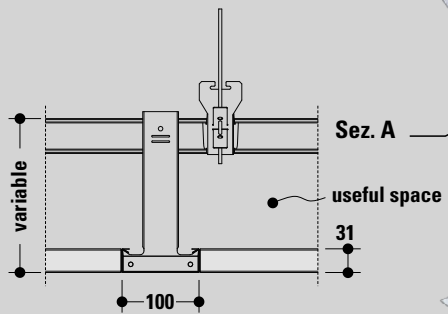
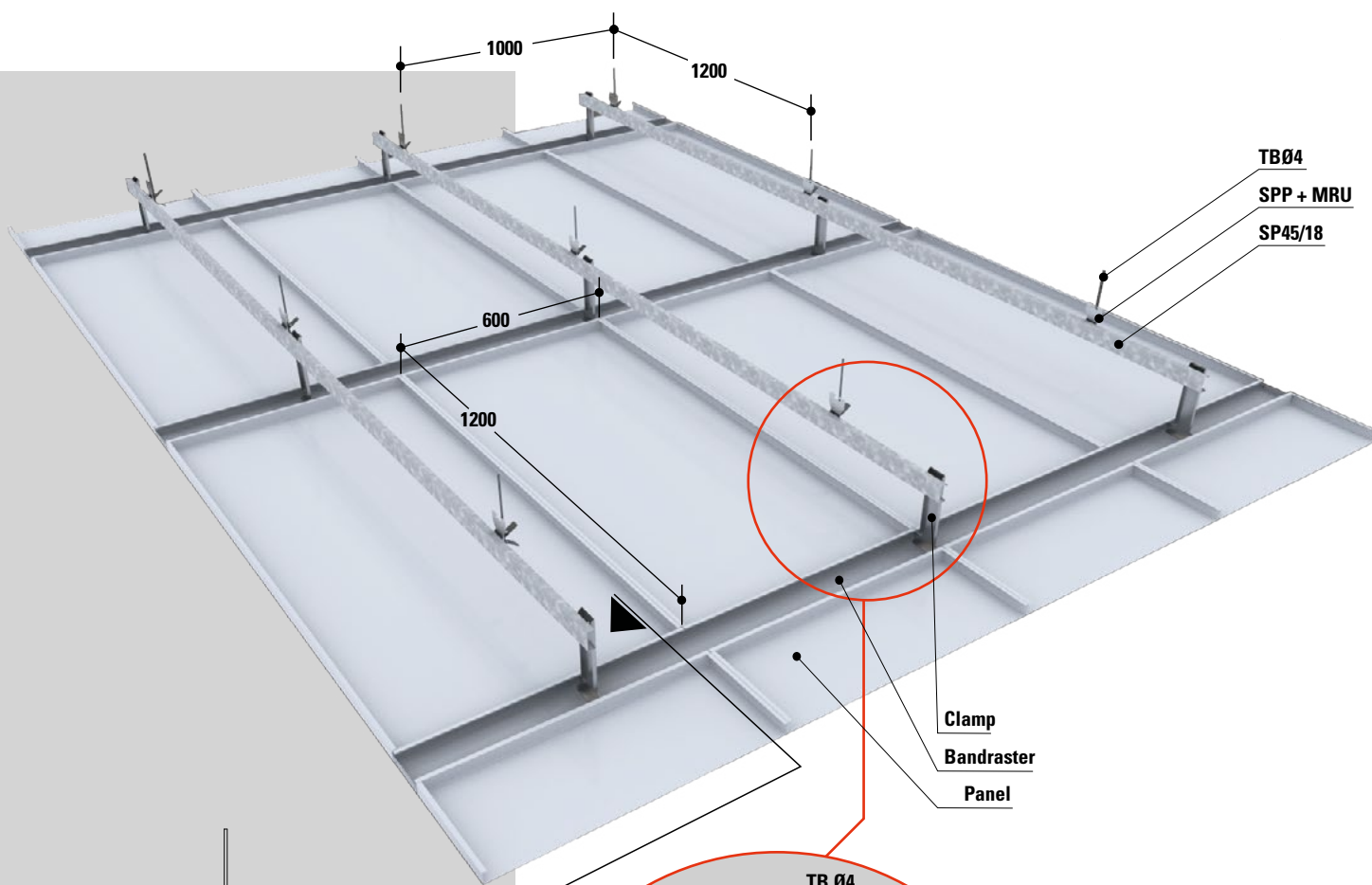
## ACCESSORIES

### LIGHTING



### AC TREATMENT

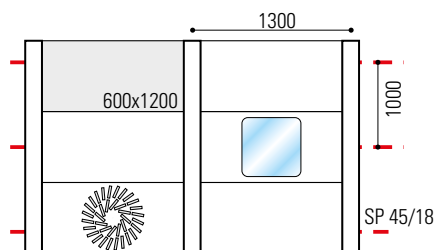




Serviceability of every single panel.

Option to group the disassembled panels to obtain sufficient maintenance space of the systems, as shown below.

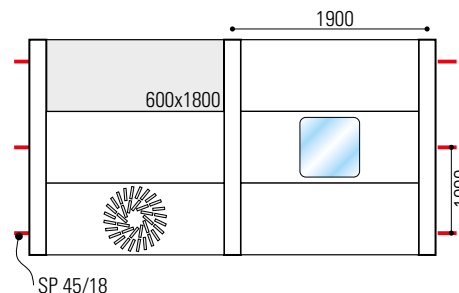
## Module 600 x 1200 mm



### Theoretical incidences

SP 45/18 <i>Bearing profile</i>	1,00 m/m <sup>2</sup>
Panel <i>600 x 1200 mm</i>	1,28 pc/m <sup>2</sup>
SPP <i>Suspension</i>	0,83 pc/m <sup>2</sup>
MRU <i>Tuning spring</i>	0,83 pc/m <sup>2</sup>
TBØ4 <i>Rod bar</i>	0,83 pc/m <sup>2</sup>
Clamp <i>Suspension</i>	0,77 pc/m <sup>2</sup>
TNT <i>Acoustic fleece</i>	1,28 pc/m <sup>2</sup>
Bandraster <i>Cross girder</i>	0,77 m/m <sup>2</sup>

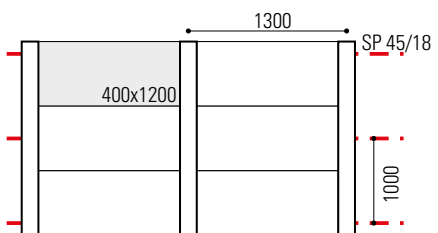
## Module 600 x 1800 mm



### Theoretical incidences

SP 45/18 <i>Bearing profile</i>	1,00 m/m <sup>2</sup>
Panel <i>600 x 1800 mm</i>	0,88 pc/m <sup>2</sup>
SPP <i>Suspension</i>	0,83 pc/m <sup>2</sup>
MRU <i>Tuning spring</i>	0,83 pc/m <sup>2</sup>
TBØ4 <i>Rod bar</i>	0,83 pc/m <sup>2</sup>
Clamp <i>Suspension</i>	0,53 pc/m <sup>2</sup>
TNT <i>Acoustic fleece</i>	0,88 pc/m <sup>2</sup>
Bandraster <i>Cross girder</i>	0,53 m/m <sup>2</sup>

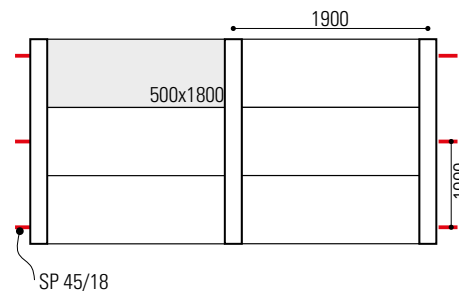
## Module 400 x 1200 mm



### Theoretical incidences

SP 45/18 <i>Bearing profile</i>	1,00 m/m <sup>2</sup>
Panel <i>400 x 1200 mm</i>	1,92 pc/m <sup>2</sup>
SPP <i>Suspension</i>	0,83 pc/m <sup>2</sup>
MRU <i>Tuning spring</i>	0,83 pc/m <sup>2</sup>
TBØ4 <i>Rod bar</i>	0,83 pc/m <sup>2</sup>
Clamp <i>Suspension</i>	0,77 pc/m <sup>2</sup>
TNT <i>Acoustic fleece</i>	1,92 pc/m <sup>2</sup>
Bandraster <i>Cross girder</i>	0,77 m/m <sup>2</sup>

## Module 500 x 1800 mm



### Theoretical incidences

SP 45/18 <i>Bearing profile</i>	1,00 m/m <sup>2</sup>
Panel <i>500 x 1800 mm</i>	1,05 pc/m <sup>2</sup>
SPP <i>Suspension</i>	0,83 pc/m <sup>2</sup>
MRU <i>Tuning spring</i>	0,83 pc/m <sup>2</sup>
TBØ4 <i>Rod bar</i>	0,83 pc/m <sup>2</sup>
Clamp <i>Suspension</i>	0,53 pc/m <sup>2</sup>
TNT <i>Acoustic fleece</i>	1,05 pc/m <sup>2</sup>
Bandraster <i>Cross girder</i>	0,53 m/m <sup>2</sup>



**06** VERTBANDRASTER  
INTEGRATED FALSE CEILINGS



# LED LIGHTING

## PANEL

Panel finish can be either pre- or post-varnished, based on the panel of the false ceiling.

## BODY

Aluminium sheet, thickness 8/10, post-varnished. It is equipped with fixing accessories.

## OPTICAL GROUP

Colour rendering Ra >90

Plexiglass LED high light transmittance.

## WIRING / ELECTRONICS

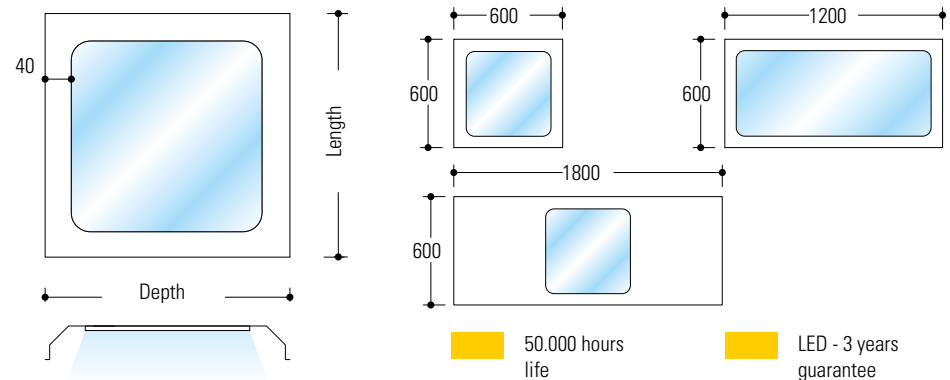
Power supply 230/50Hz with cable section 0.75mm<sup>2</sup> and PVC-HT flame retarding sheath according to CEI 20-35 standards and in compliance with CEI 20.20 and CEI CENELEC HD 21 standards.

Automatic terminal box 2P+T or 4P+T, maximum wire section allowed 2.5 mm<sup>2</sup>.

Insulation class I.

Suitable for installation on normally inflammable surfaces.

Electronic ballast EEI=A2 220-240, 0/50-60Hz. Power factor > 0.95.



EC marked product



Power supply 230v – 50hz



Protection degree



Recycling and Raee management



LED lighting



RGB



Installation from below



Dimmability



Emergency 2h/3h



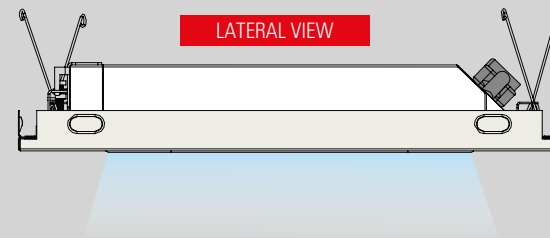
Special waste



Suitable for installation in isolated false ceilings



LED modules not replaceable by the end user

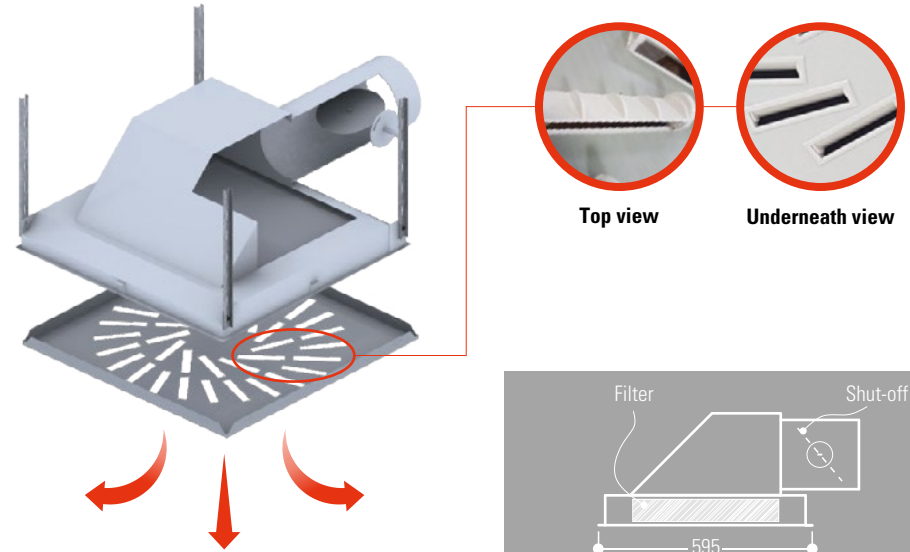


# VENTILATION

## INTEGRATED DIFFUSERS FOR AIR CONDITIONING

### DISTRIBUTION PLENUM

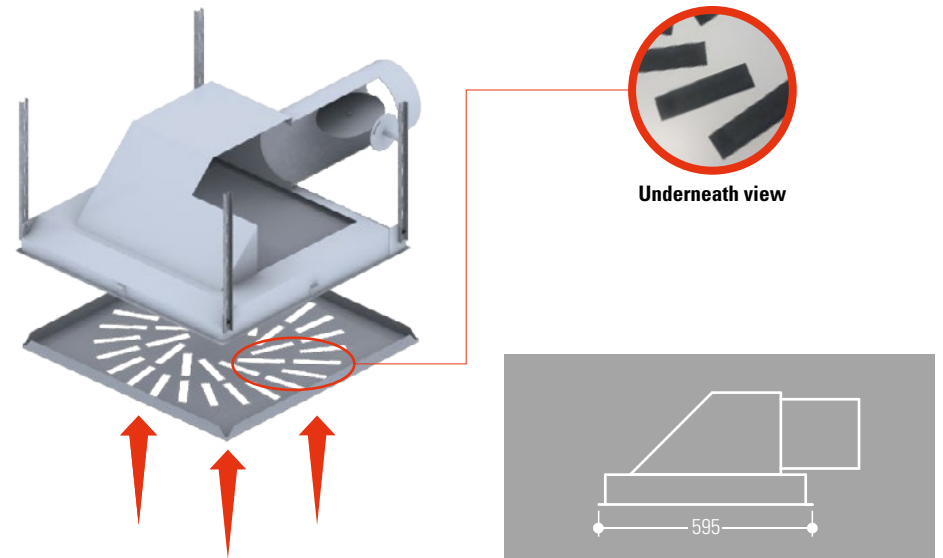
Distribution plenum with dimensions 595x595 mm made of galvanized post-varnished steel that can be perfectly integrated in the false ceiling. The diffuser is complete of Hepa H14 filter, shut-off and thermo-plastic fins for the regulation of air distribution.



### RETURN PLENUM

Return plenum with dimensions 595x595 mm made of galvanized post-varnished steel that can be perfectly integrated in the false ceiling.

The diffuser is complete of slits in radial arrangement, made by directly cutting the pre- or post-varnished panel, as shown in the detail.



**Note:** The plenum, mounted on the supporting structure, must be suspended rigidly with slotted bars. The screen will have to be mounted by following the same procedures as the false ceiling